

40
BUILD

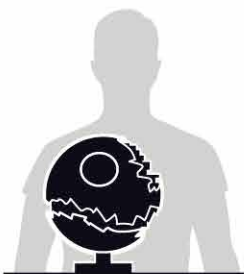
**Detailed
Models**

**Easy to
Assemble**

**Designed
for Display**



12+



10.9 in × 10.9 in × 12.8 in
27.6 cm × 27.6 cm × 32.5 cm

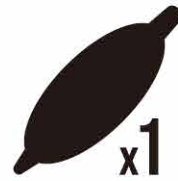
272 pcs



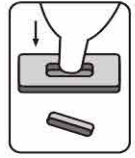
**DEATH
STAR II™**
Cardstock Model Kit

**STAR
WARS™**

ENG Apply glue to areas where you feel the tabs may become loose. Full drying time is approximately 45 minutes. For faster assembly time, please use fast drying glue as an alternative.



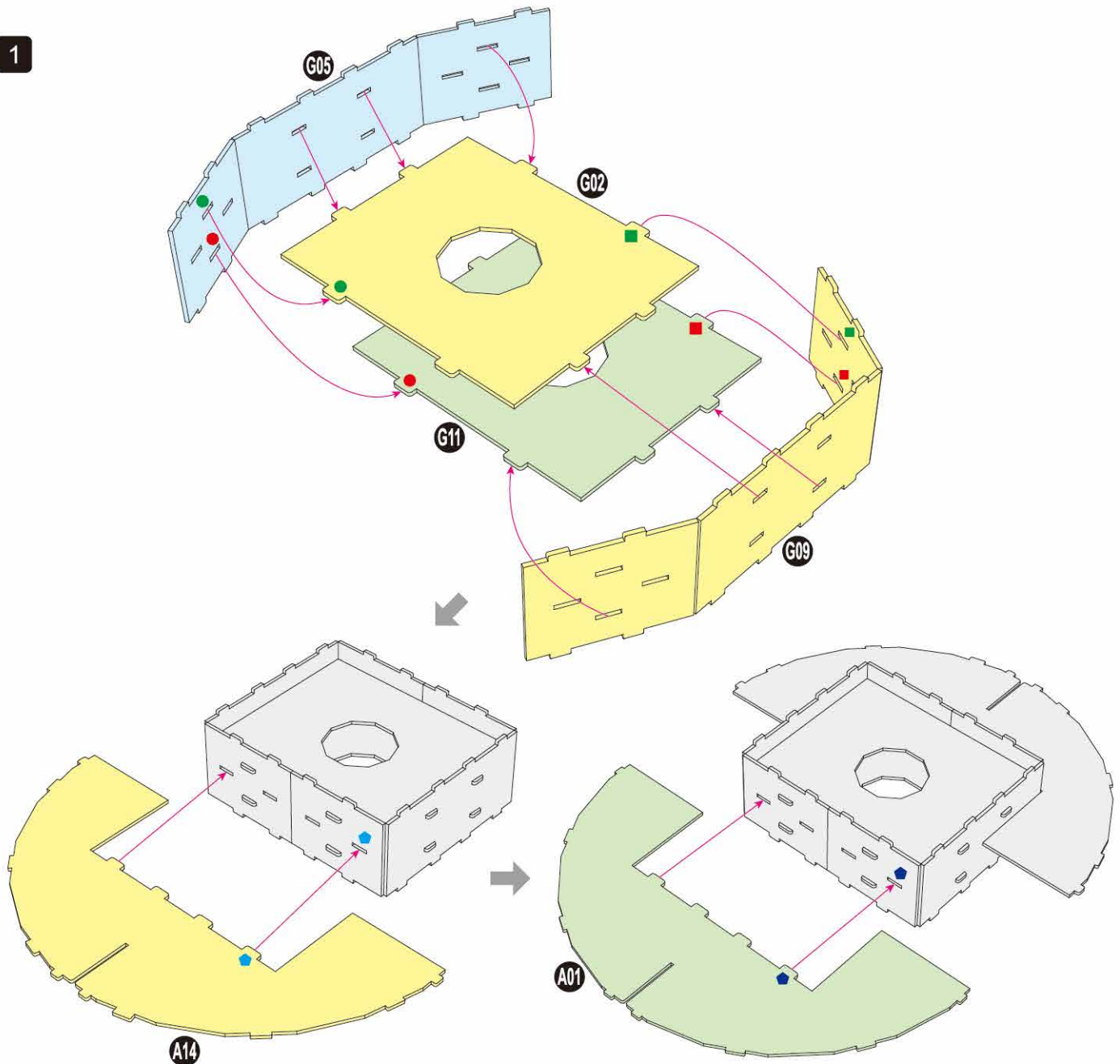
x1 Sheet **A**



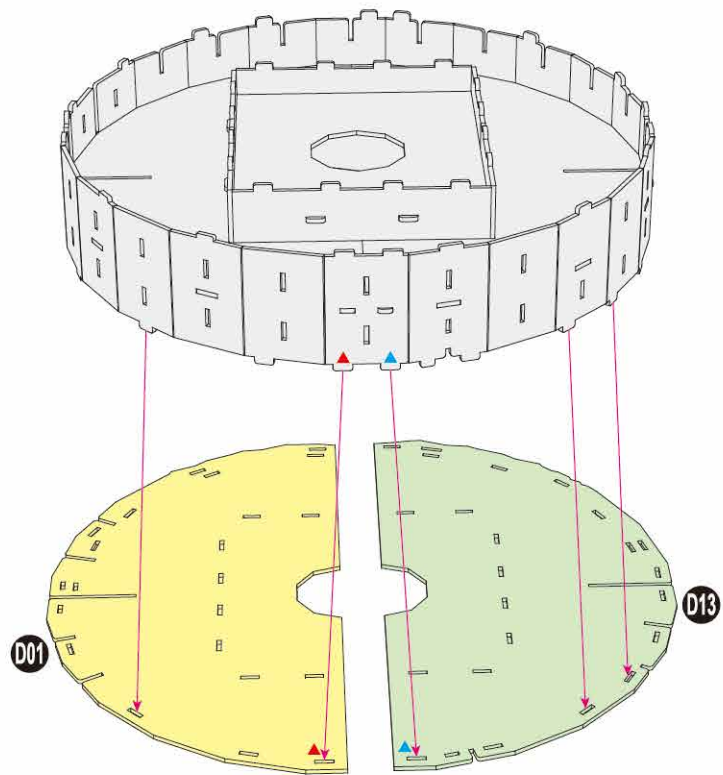
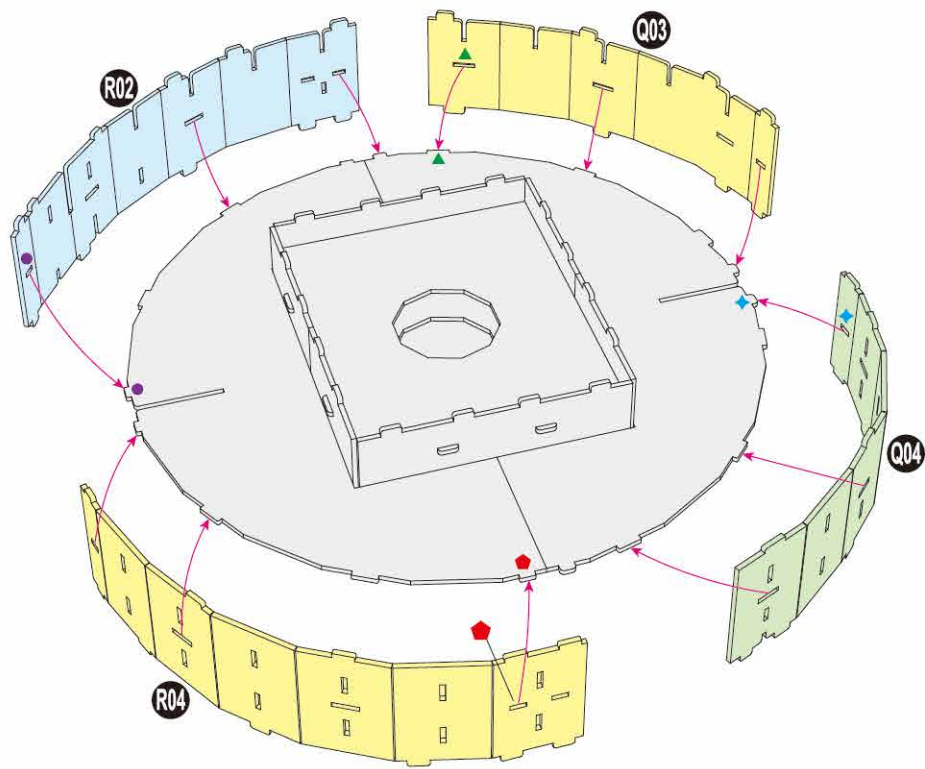
Contents: 16 Cardstock Sheets, Glue

DEATH STAR II™

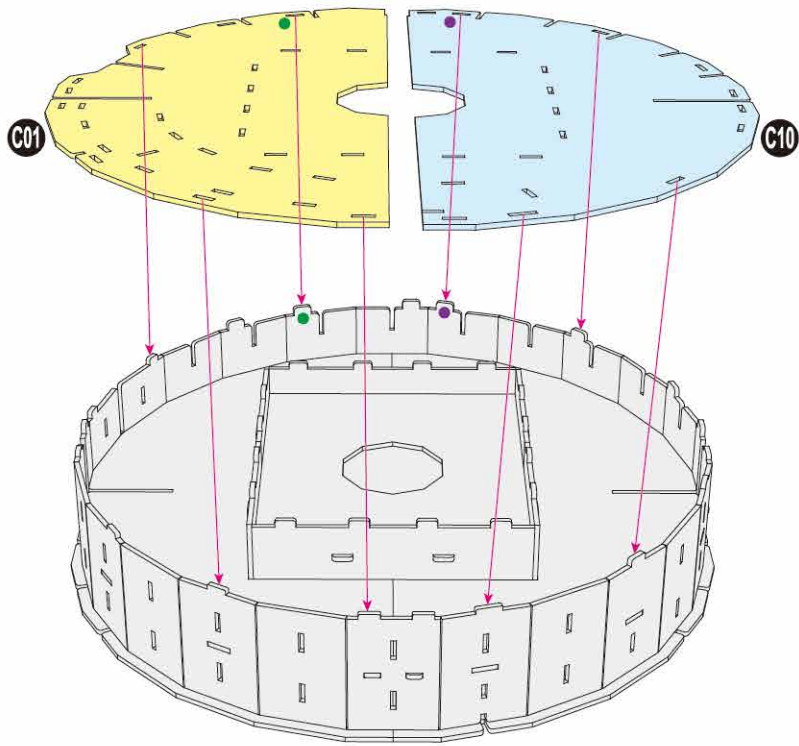
1



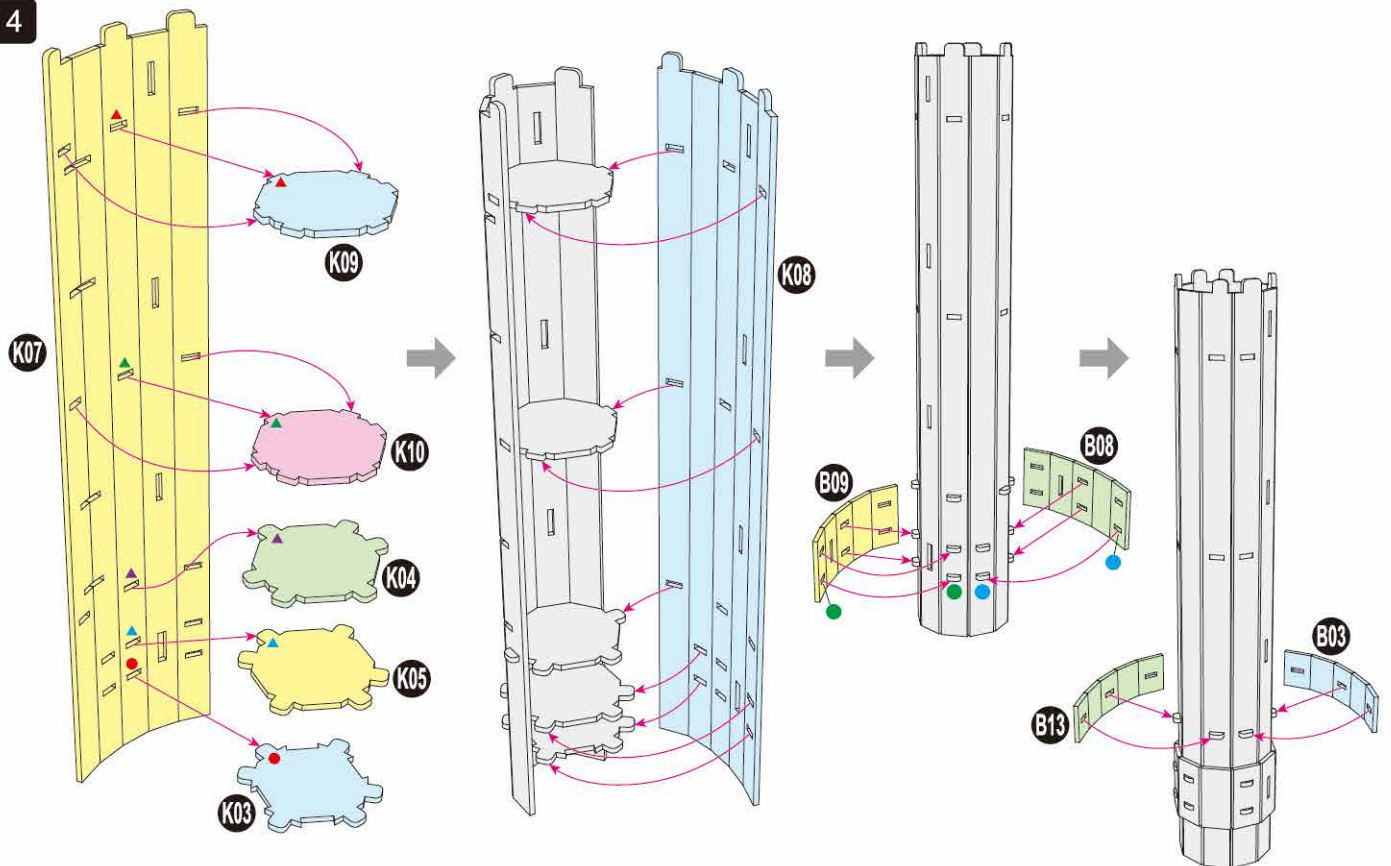
2



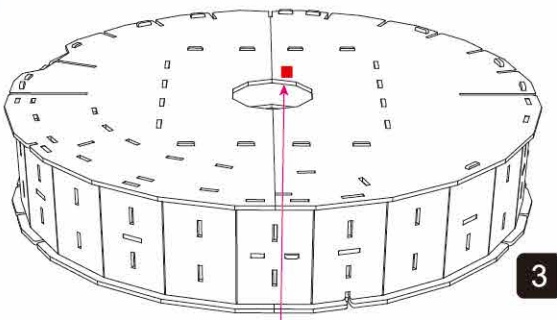
3



4



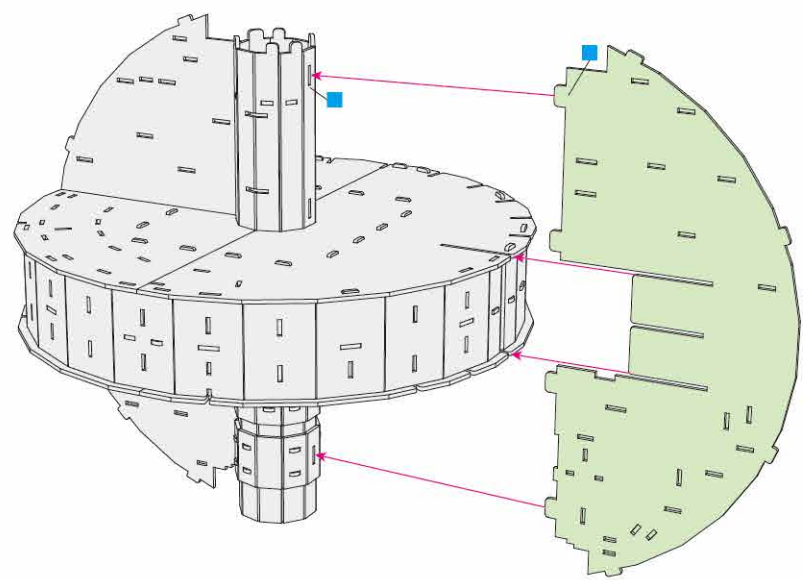
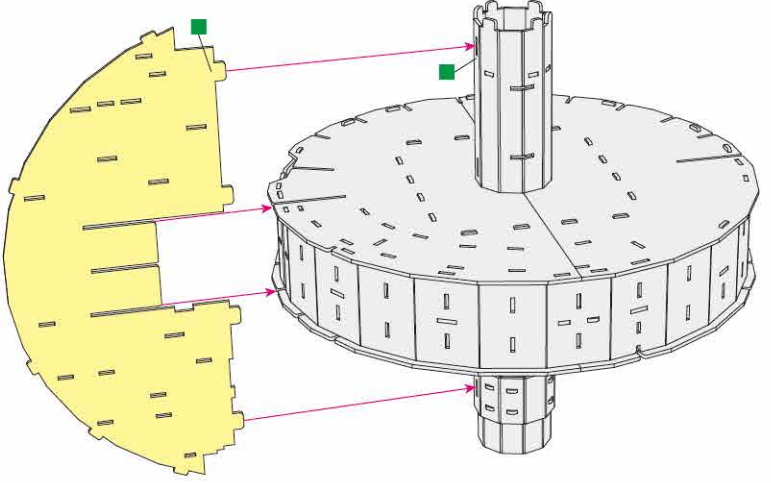
5



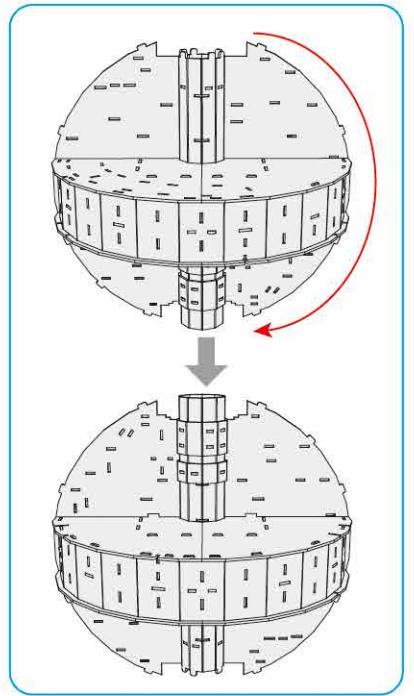
3



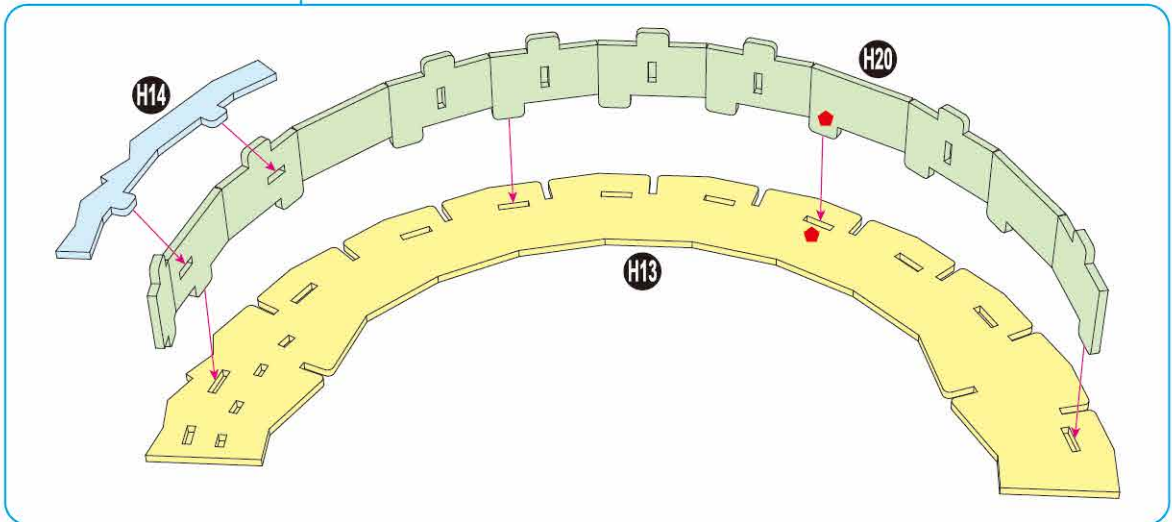
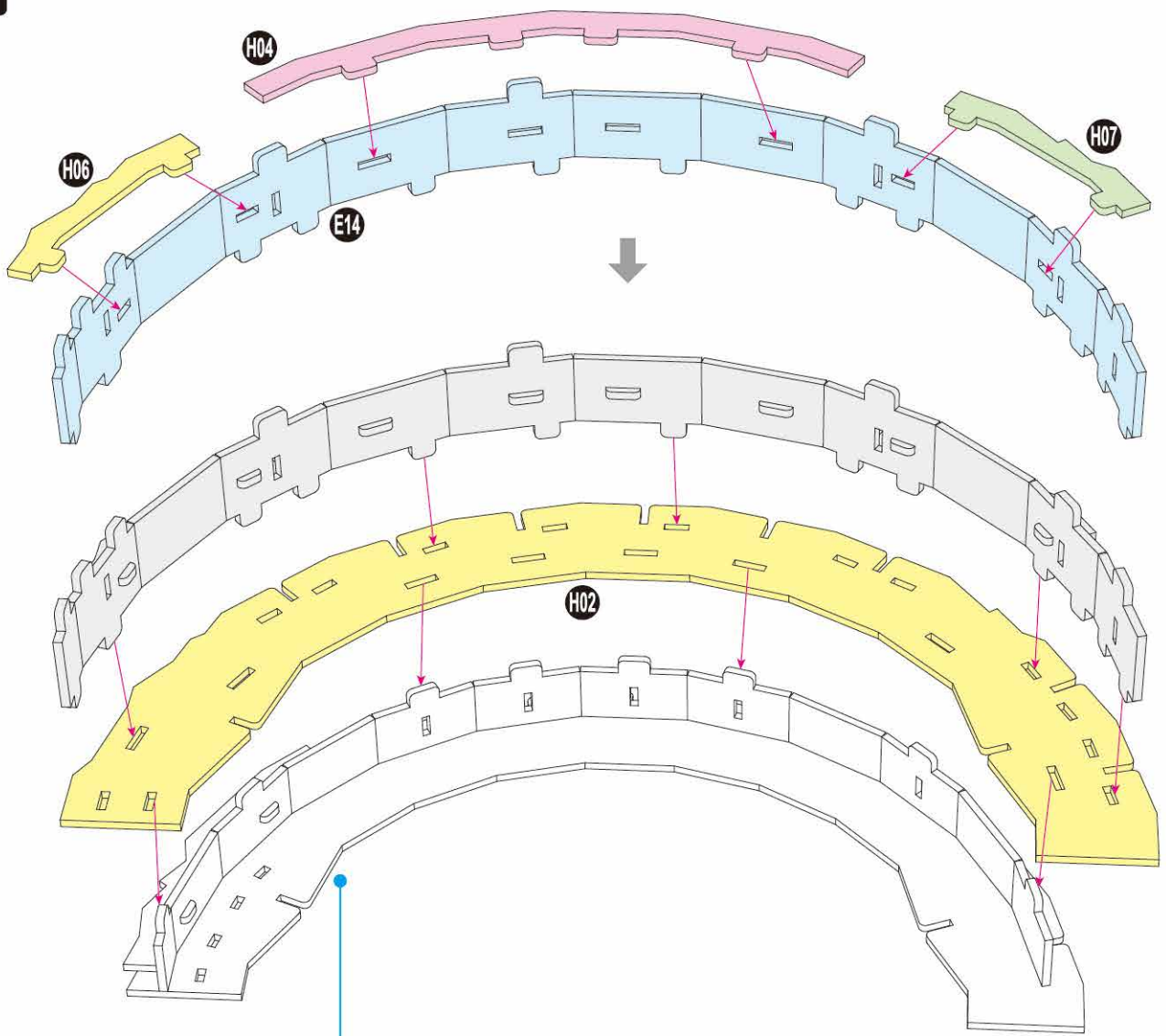
B01



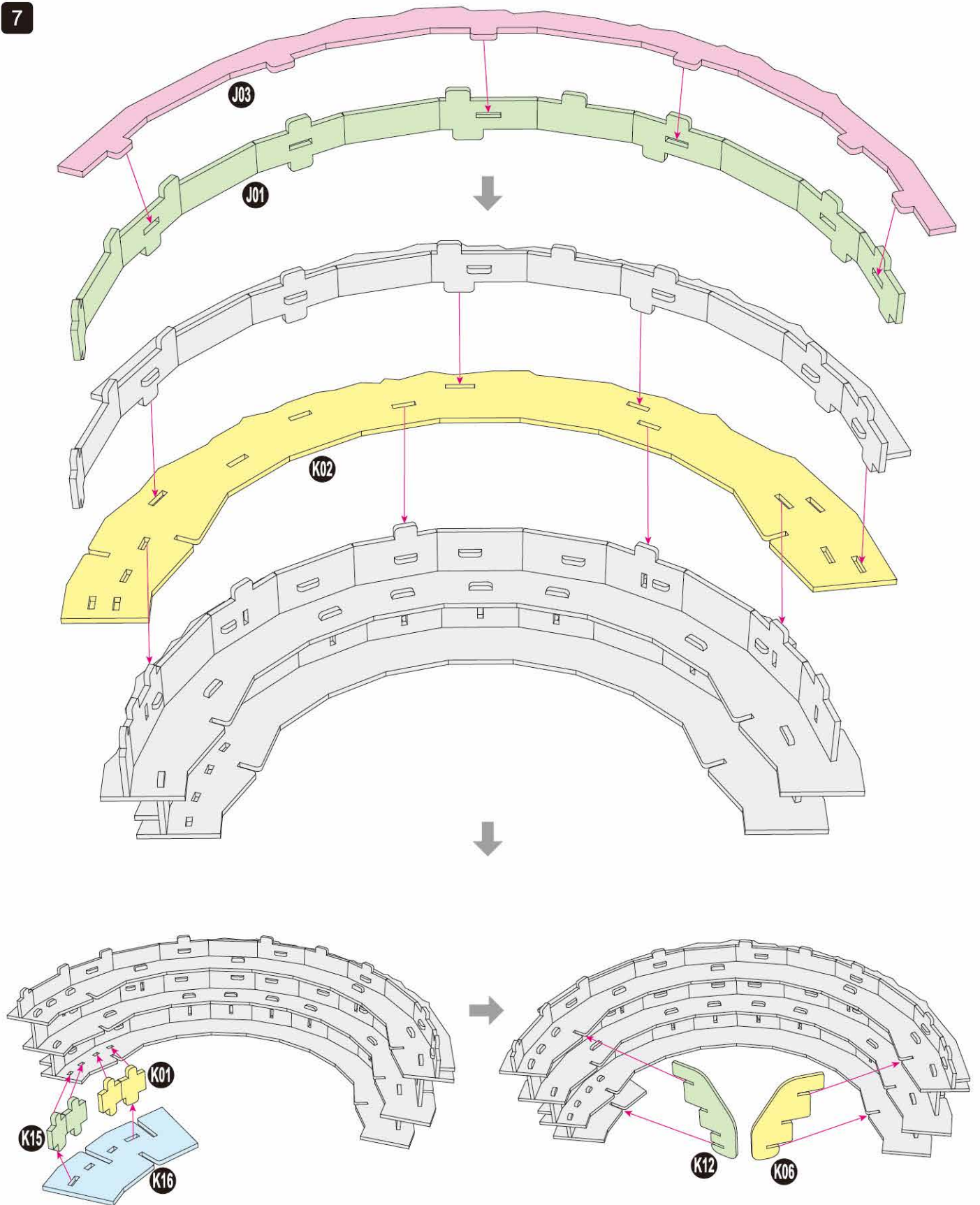
B11



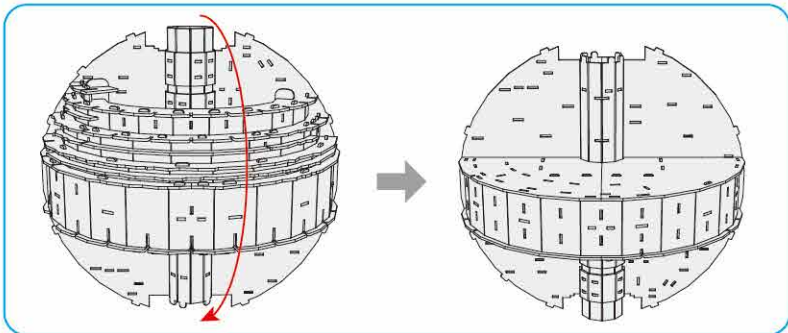
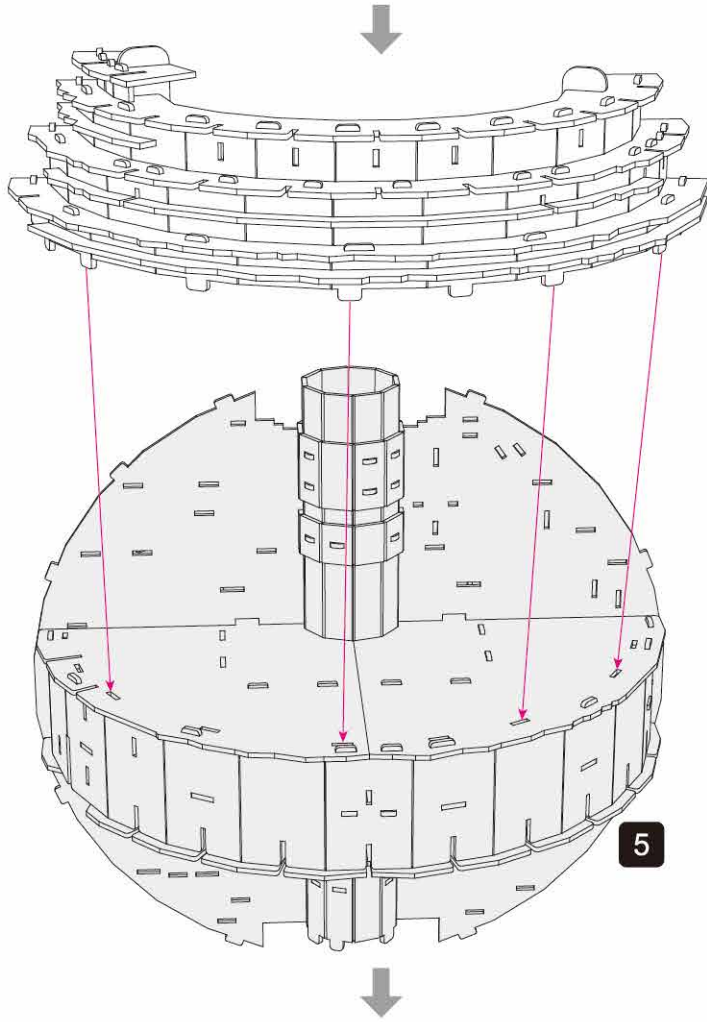
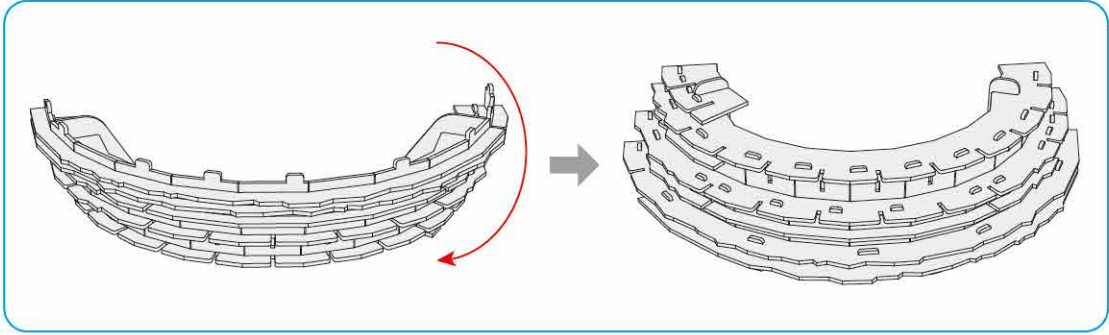
6

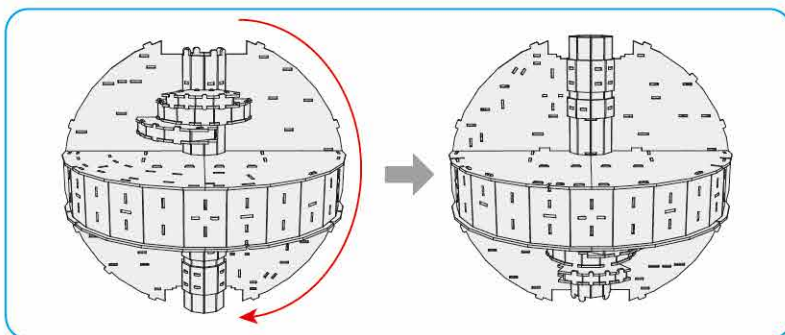
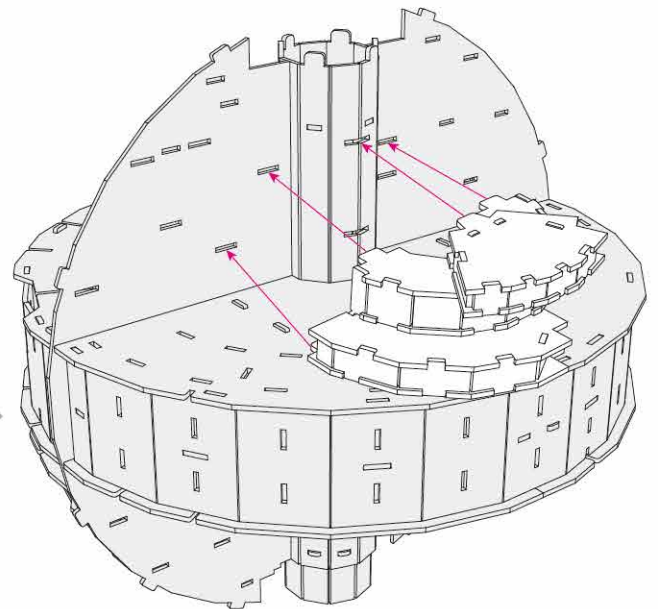
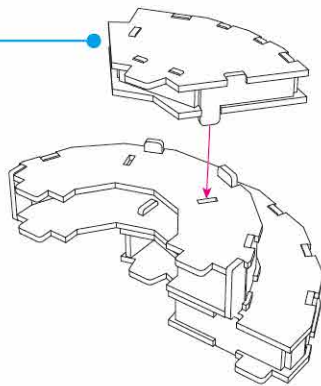
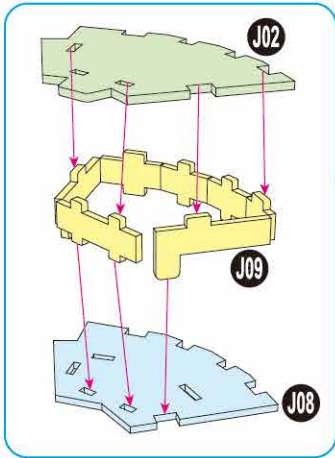
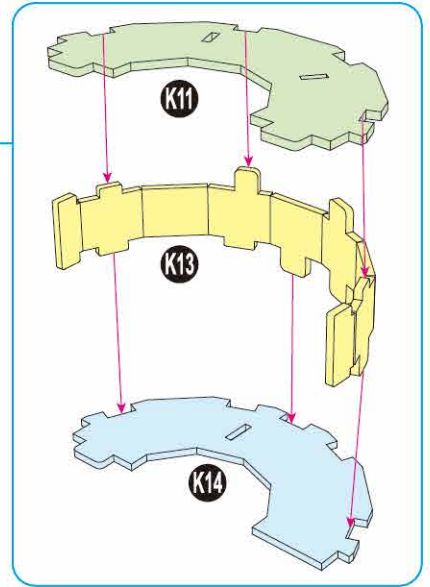
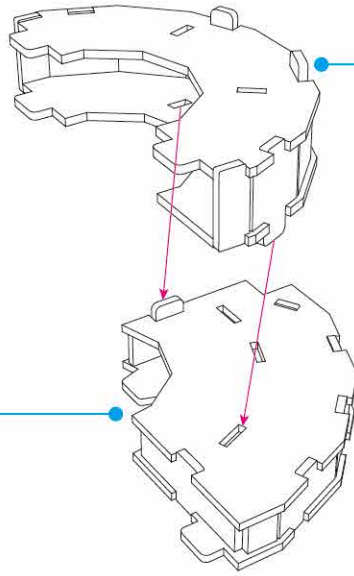
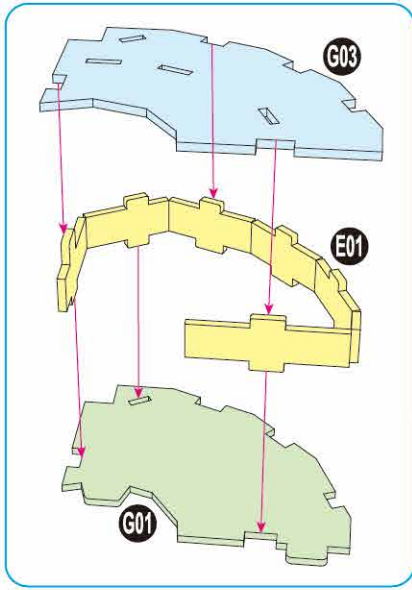


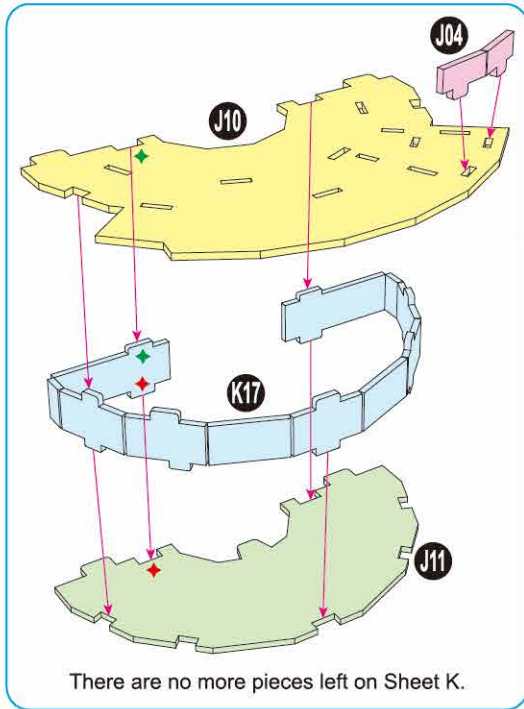
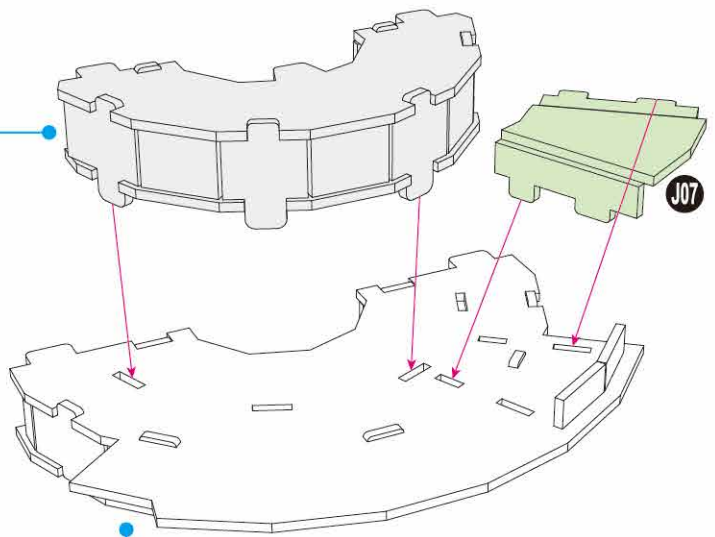
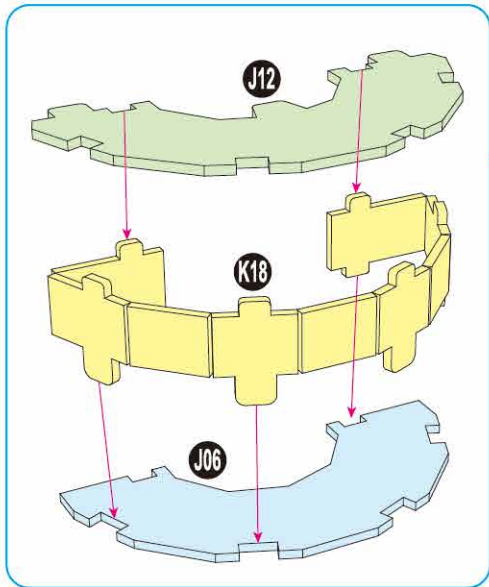
7



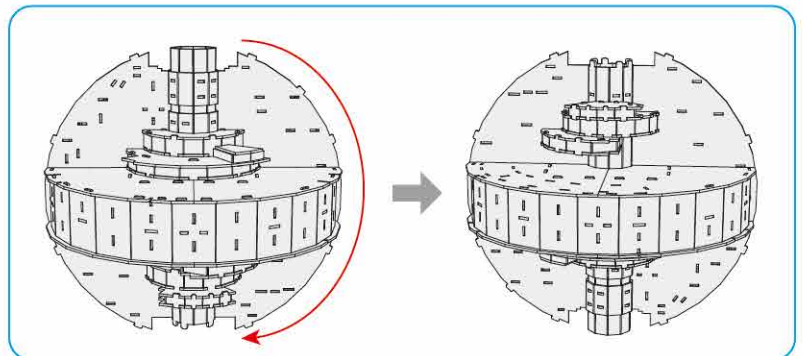
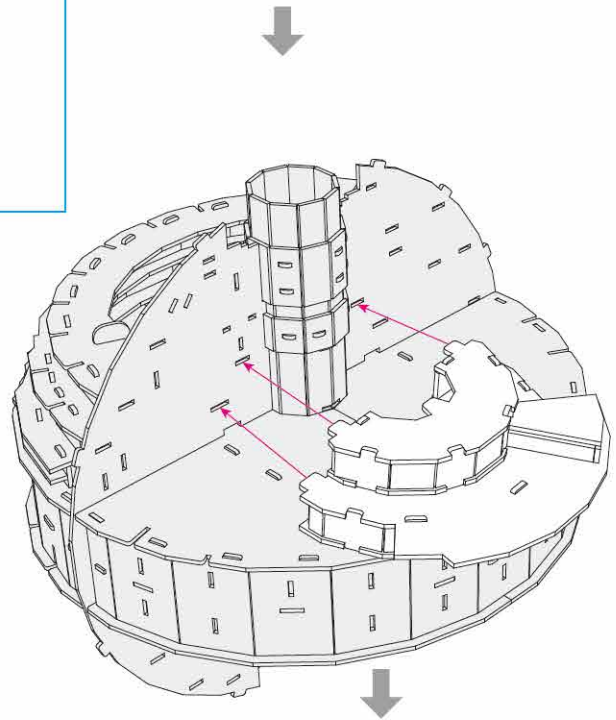
8

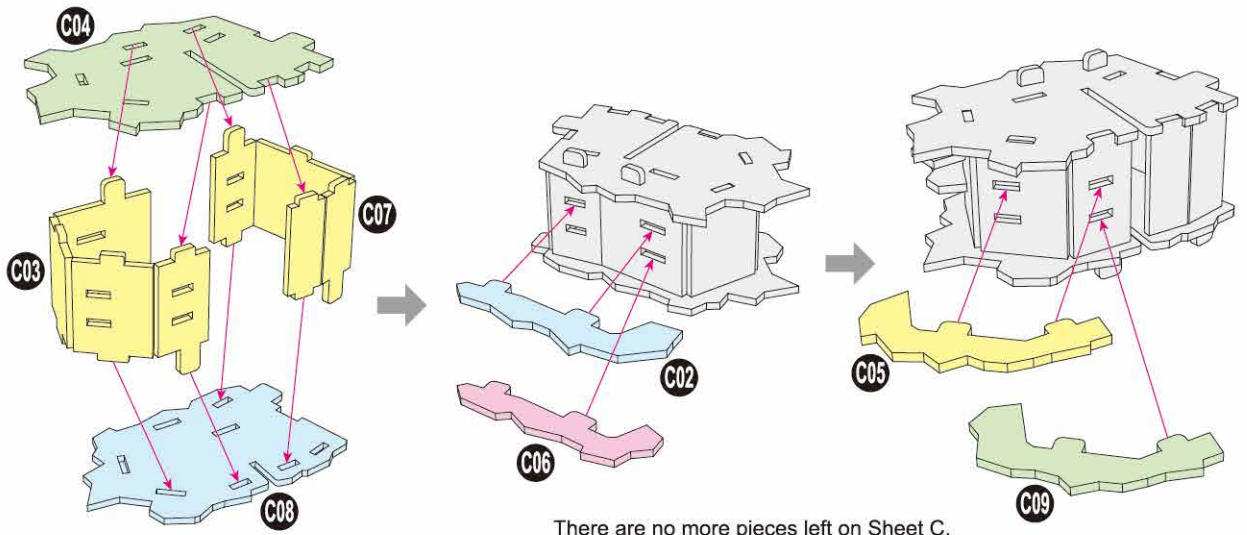




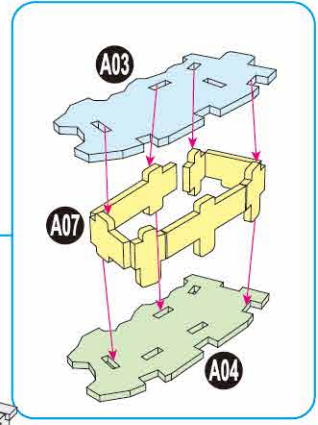
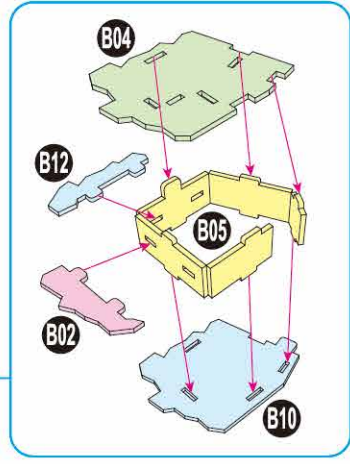
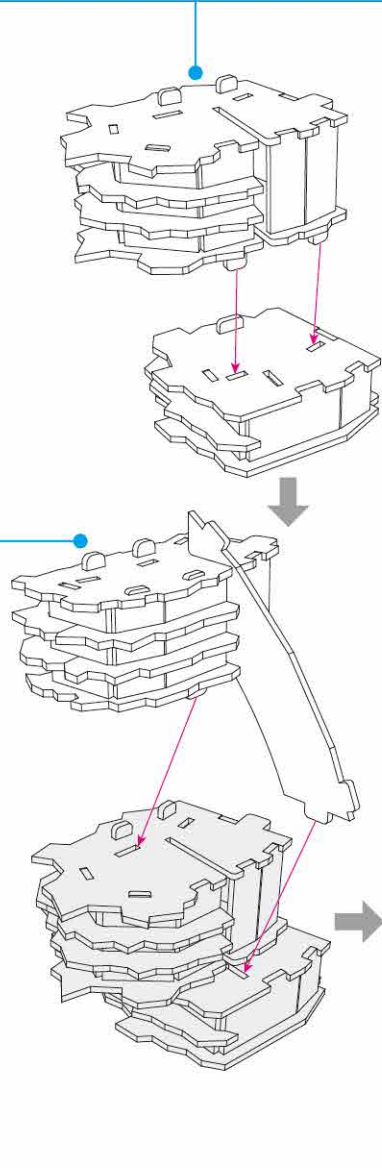
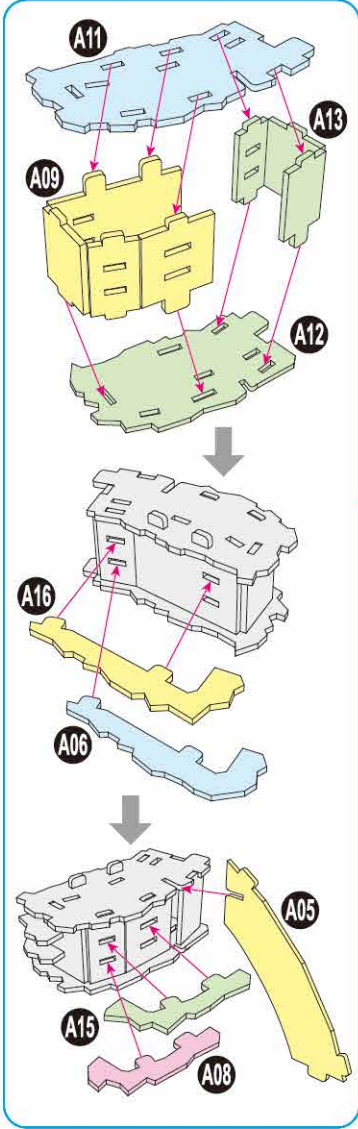


There are no more pieces left on Sheet K.

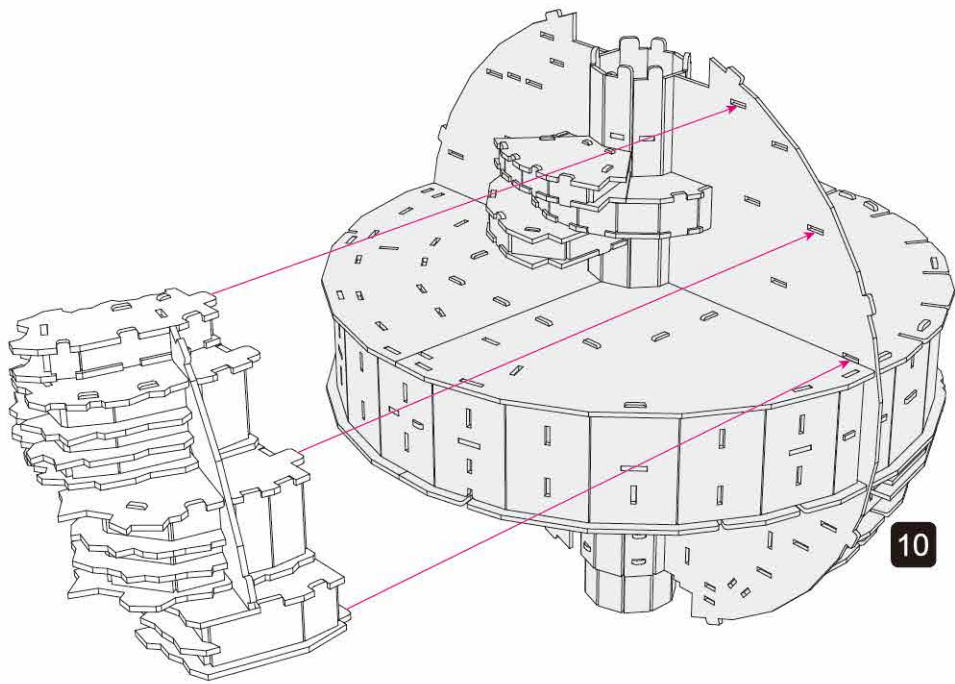




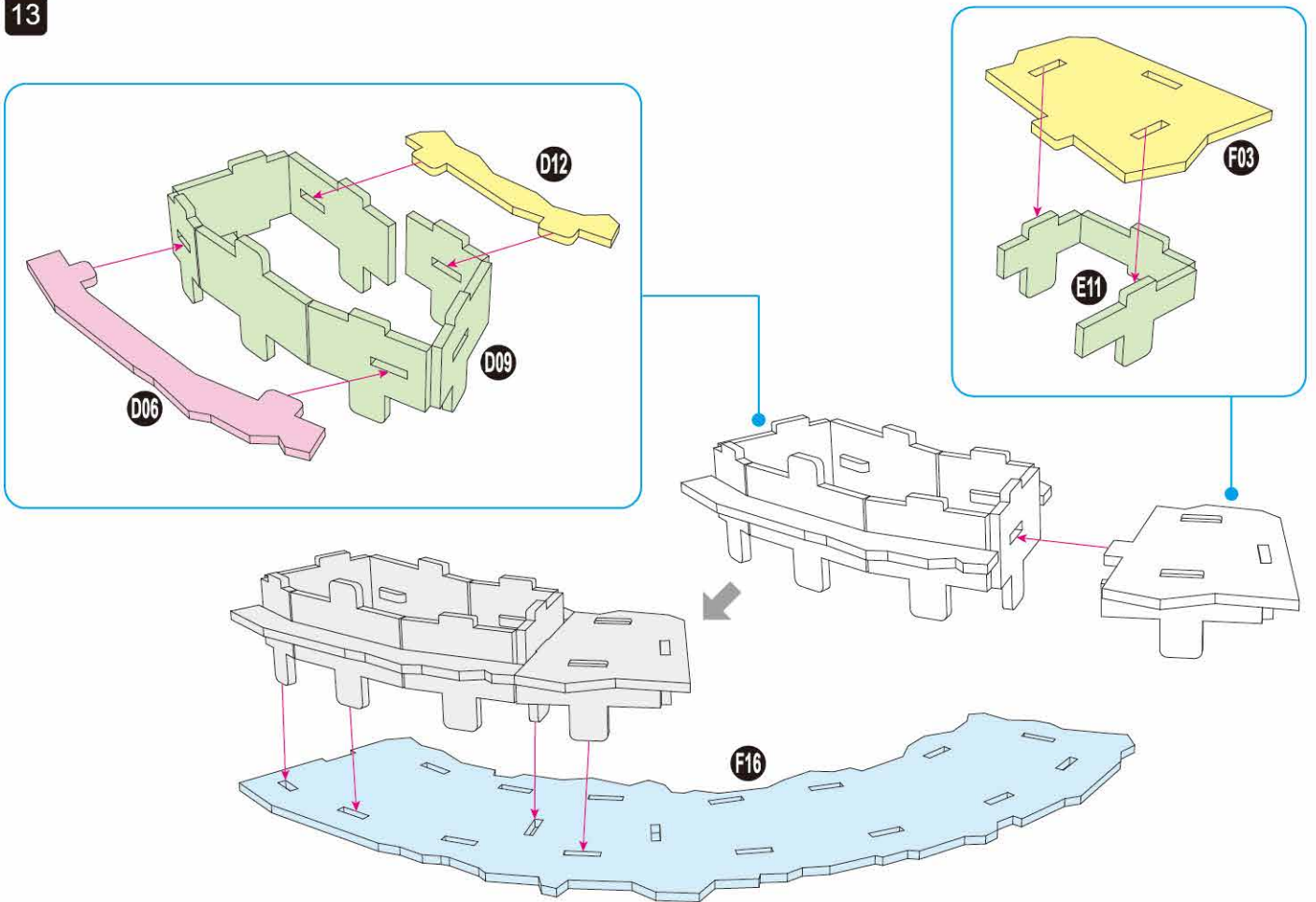
There are no more pieces left on Sheet C.



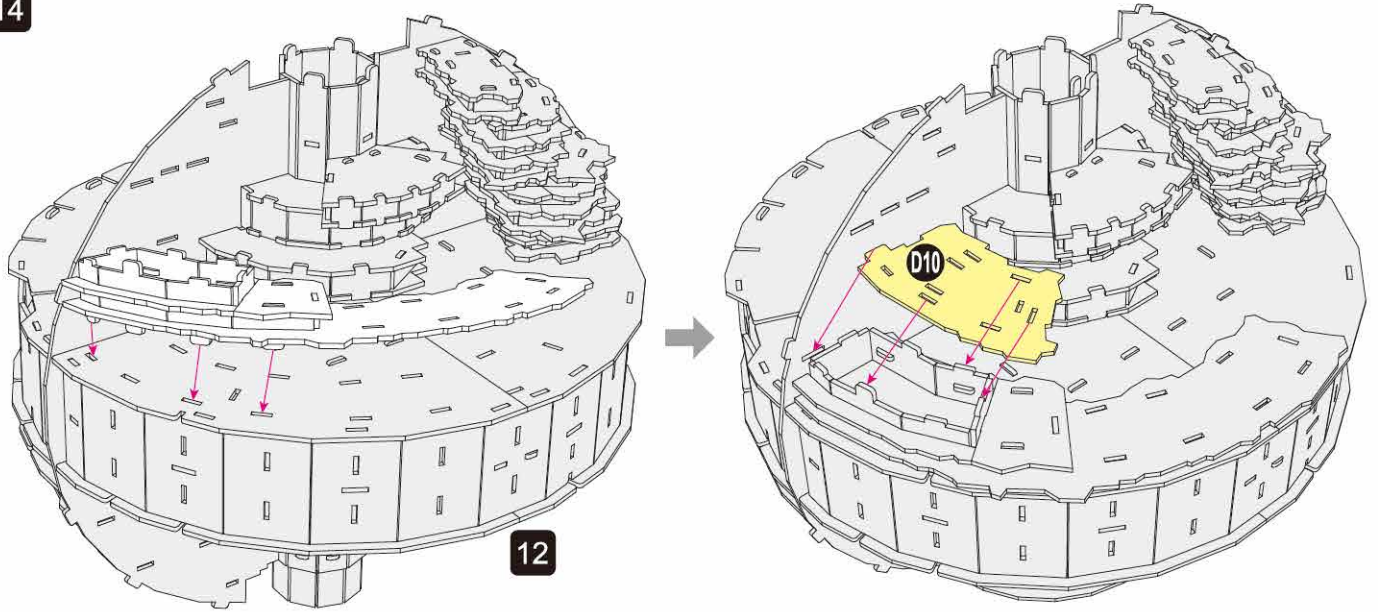
12



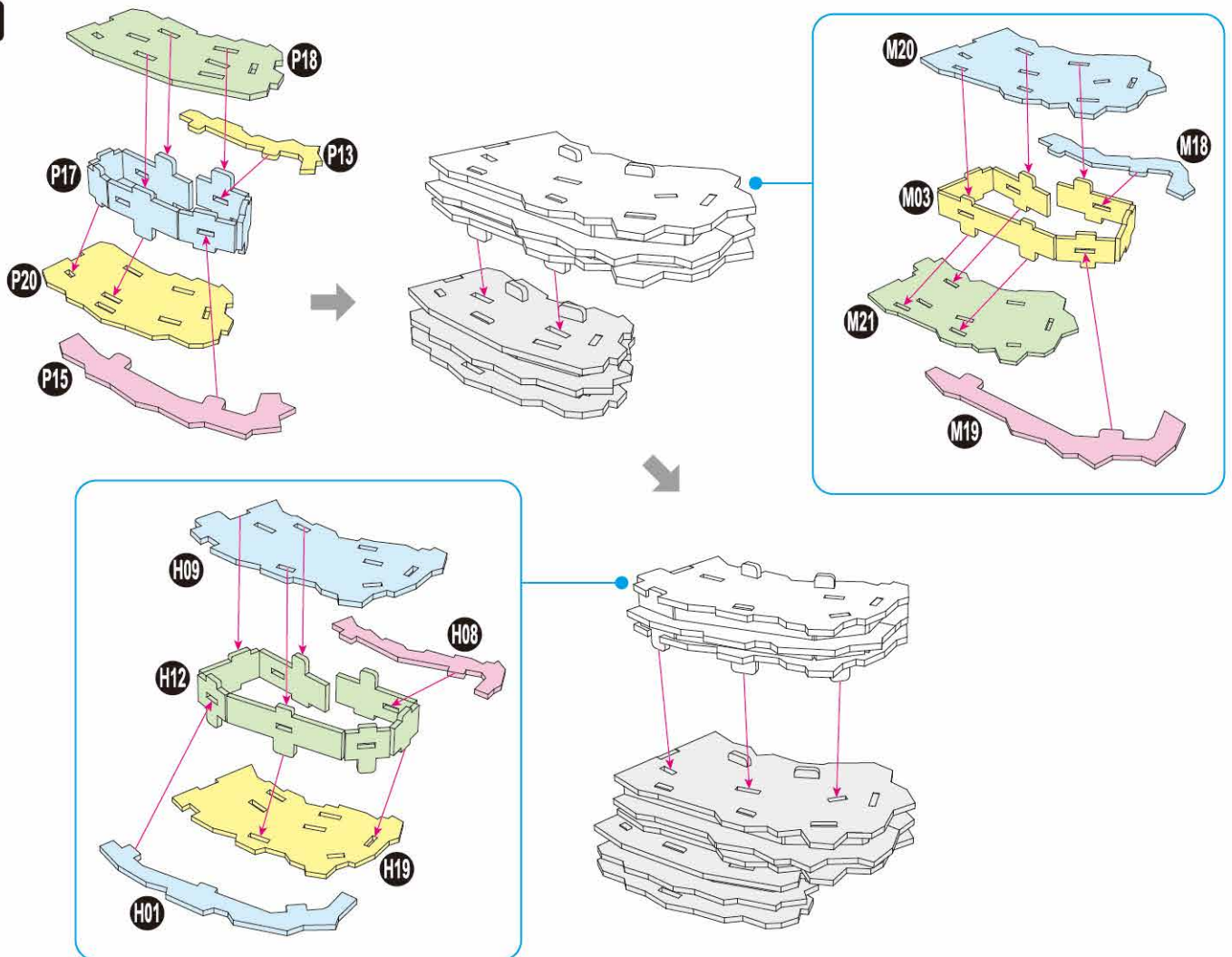
13



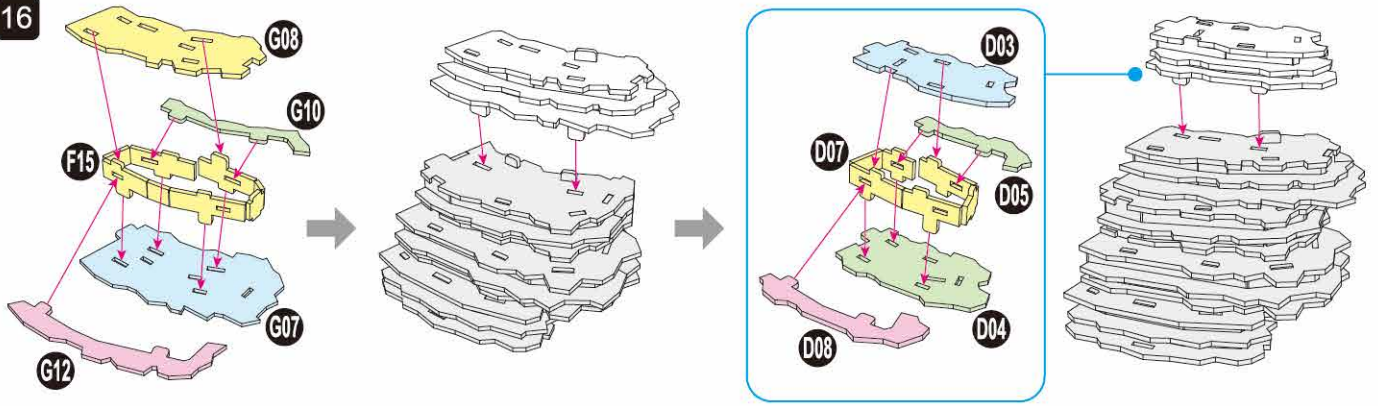
14



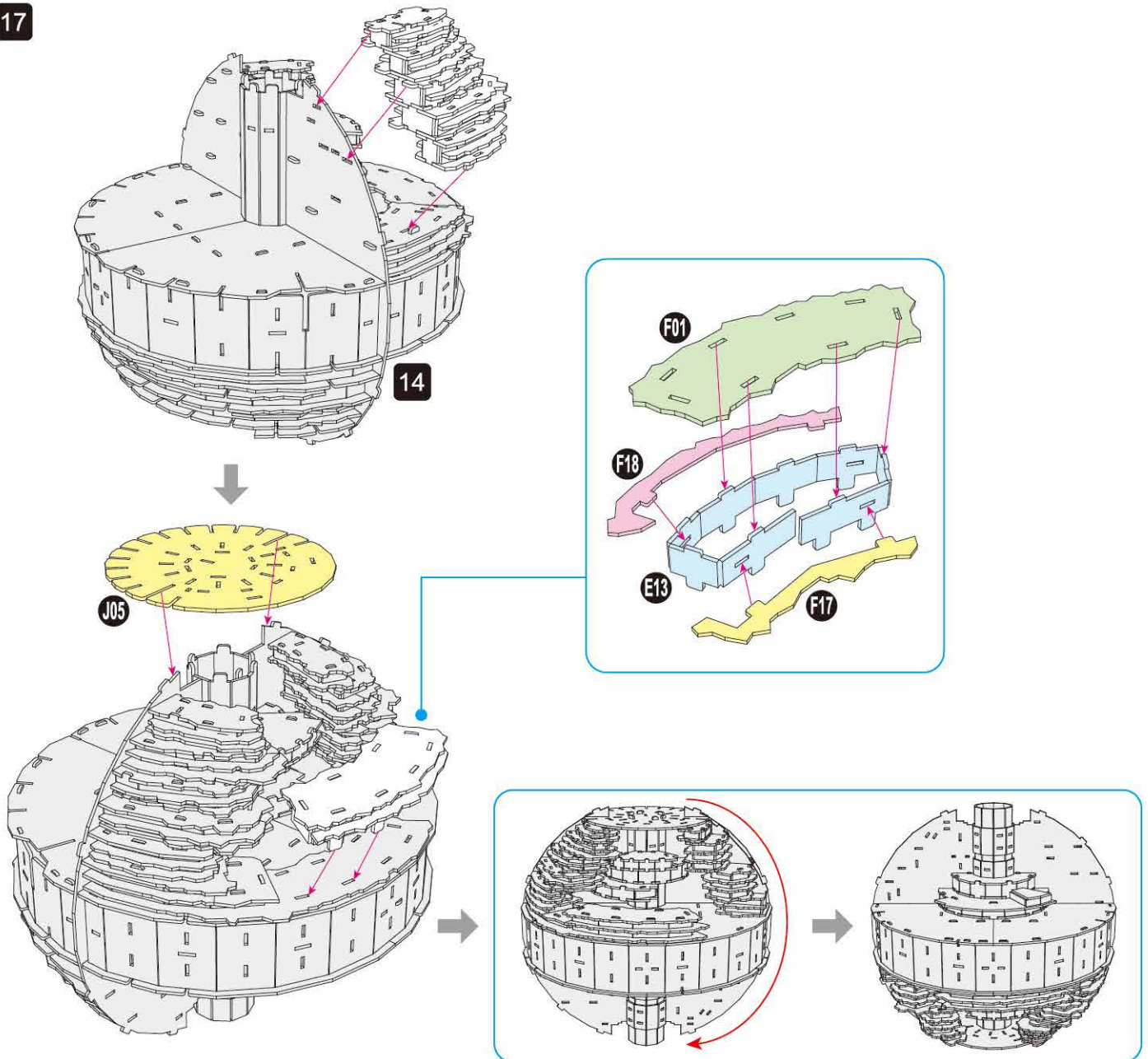
15

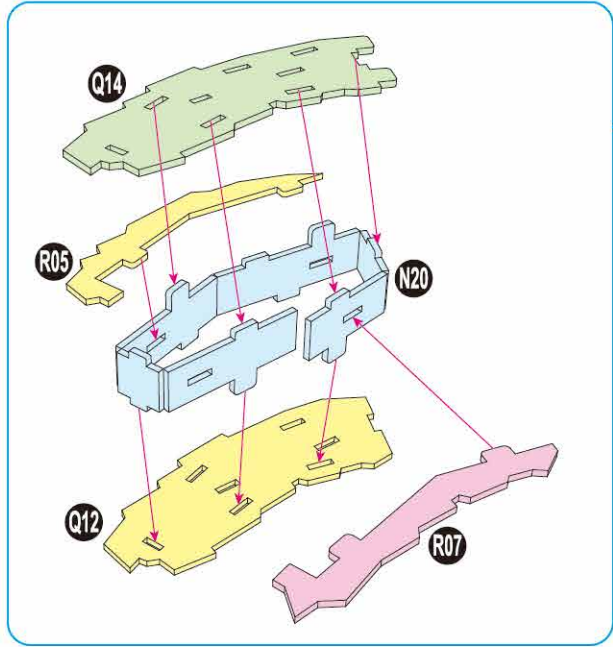
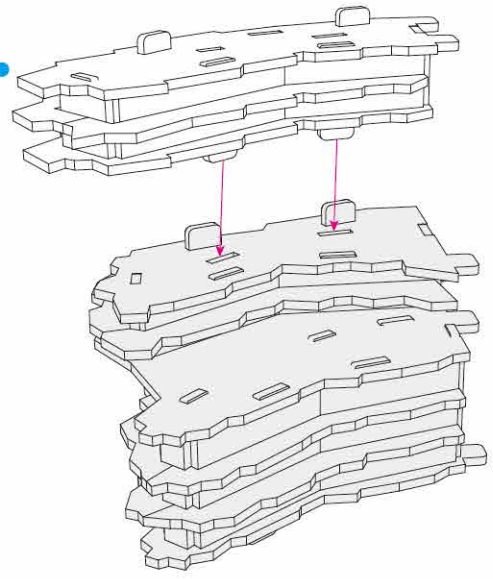
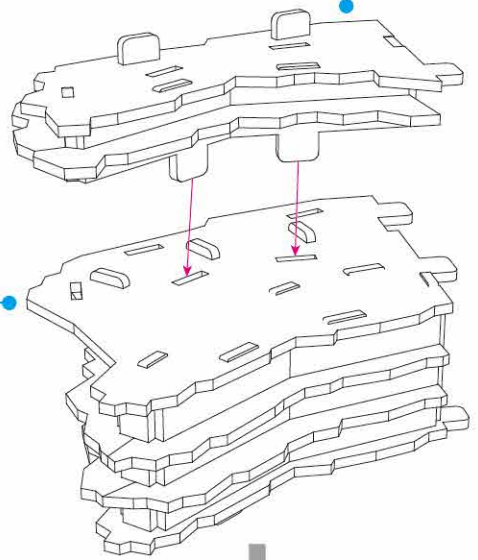
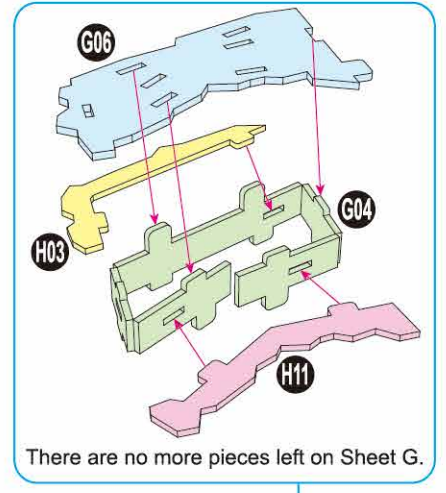
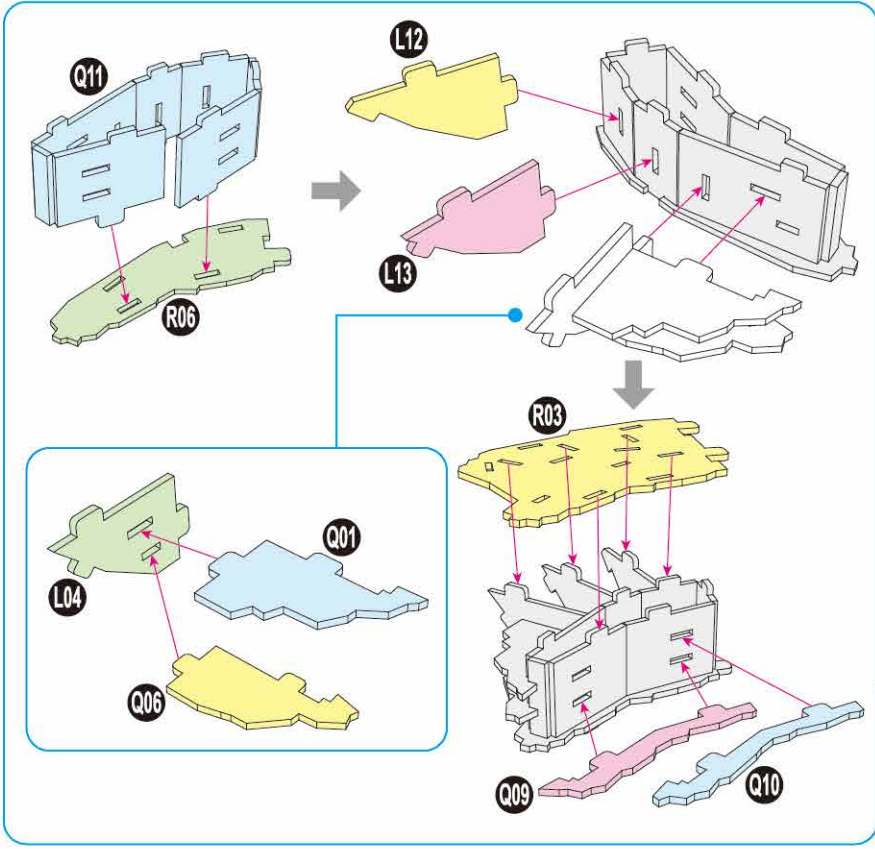


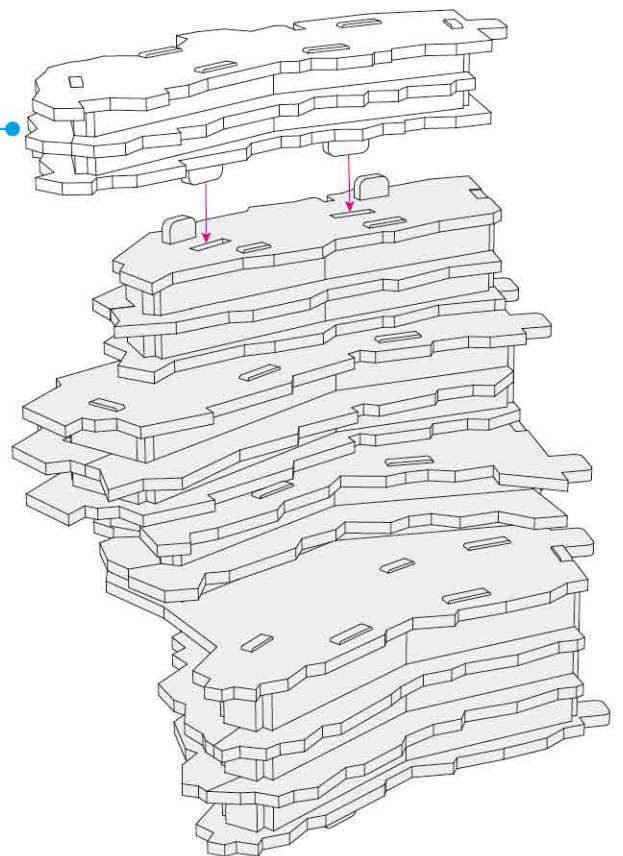
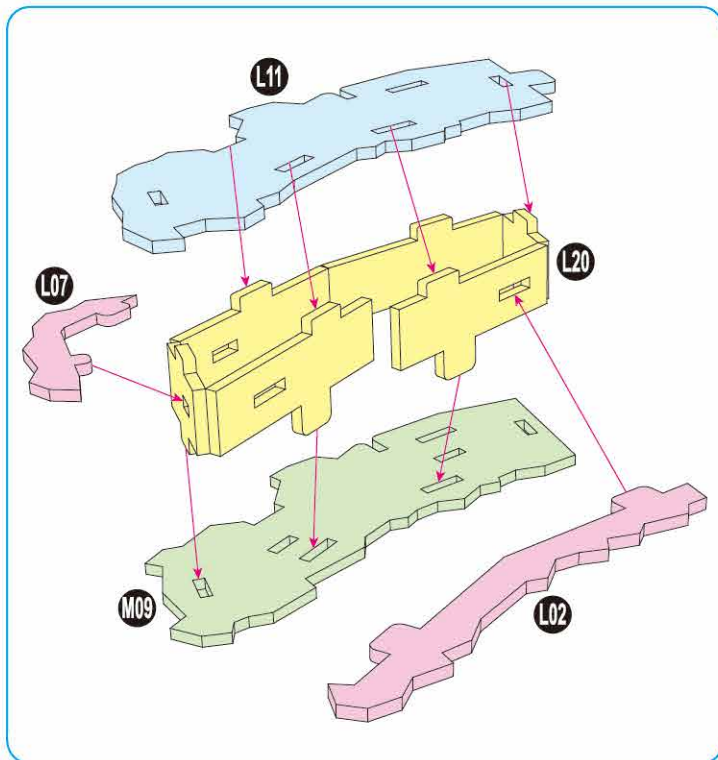
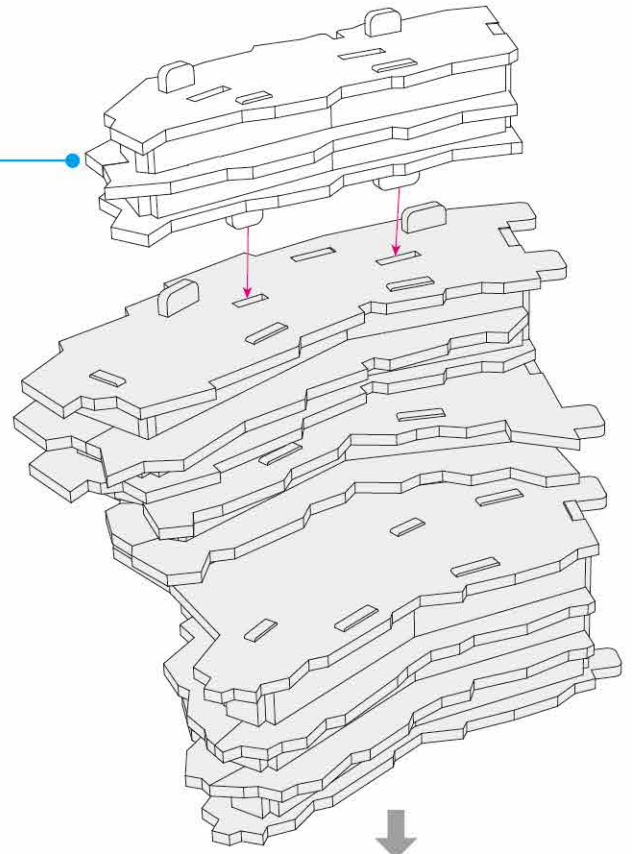
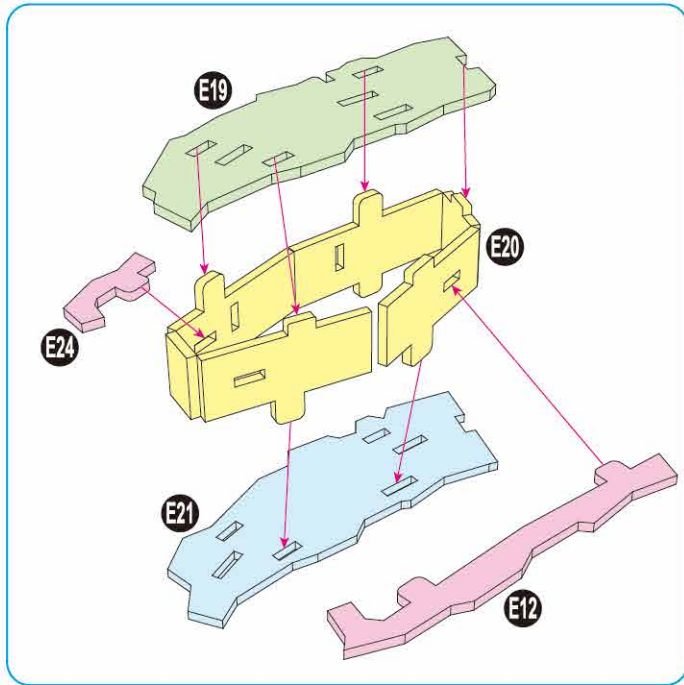
16



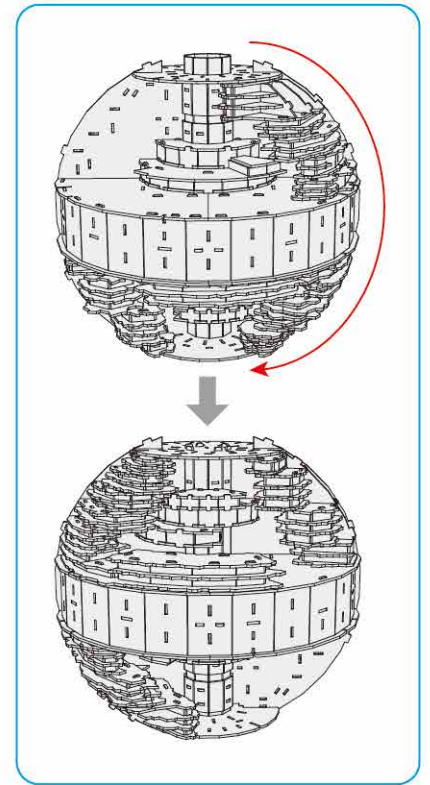
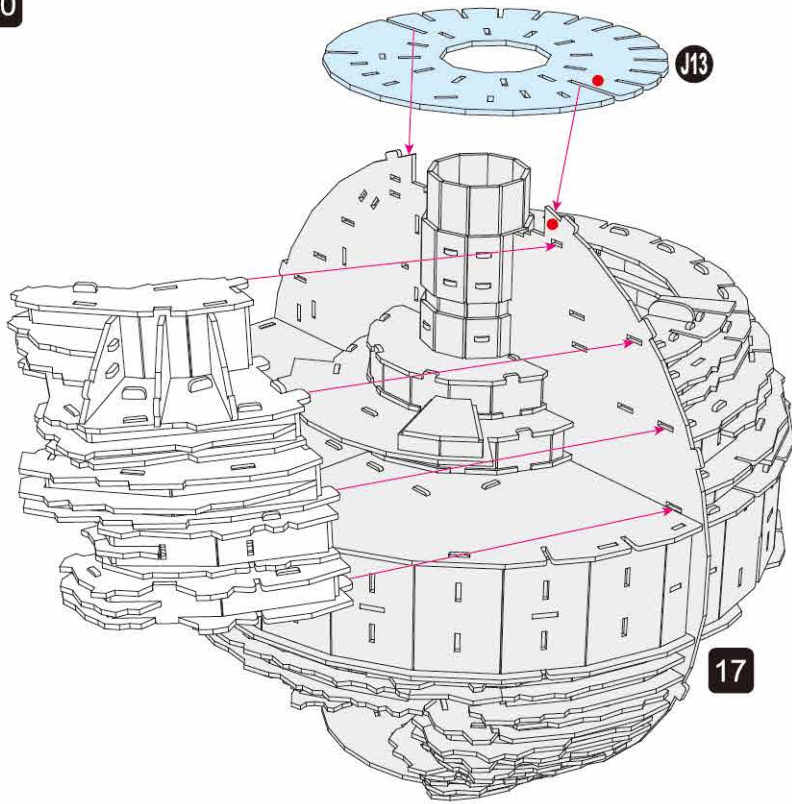
17



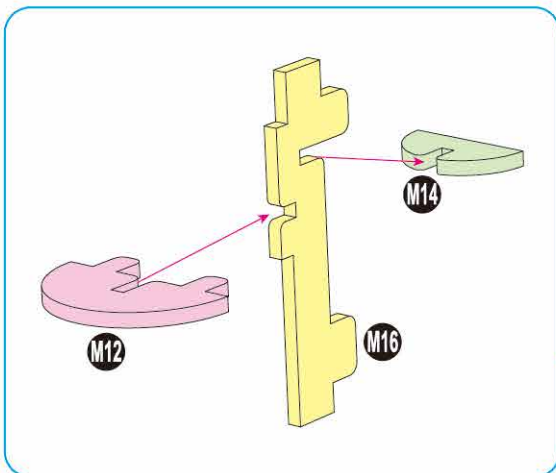
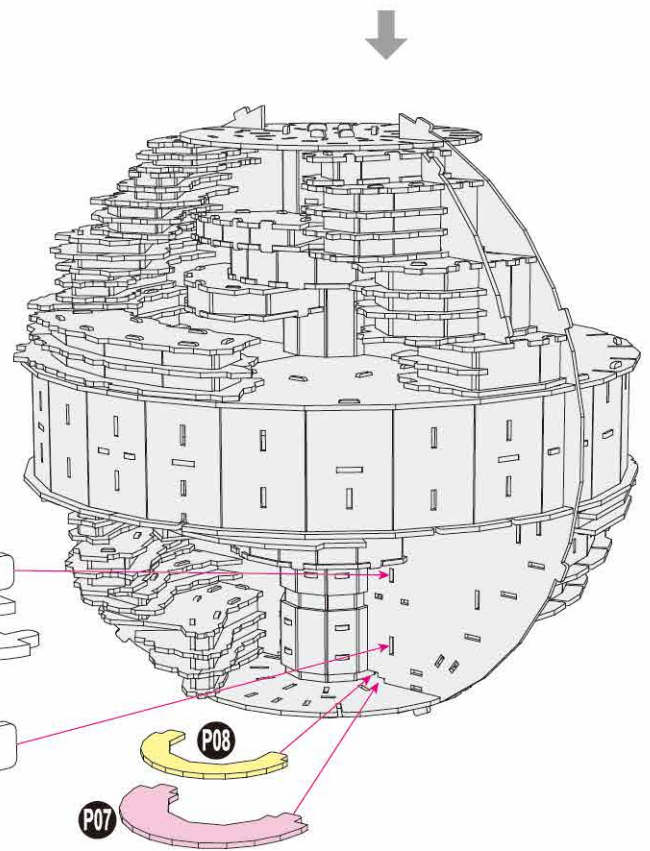




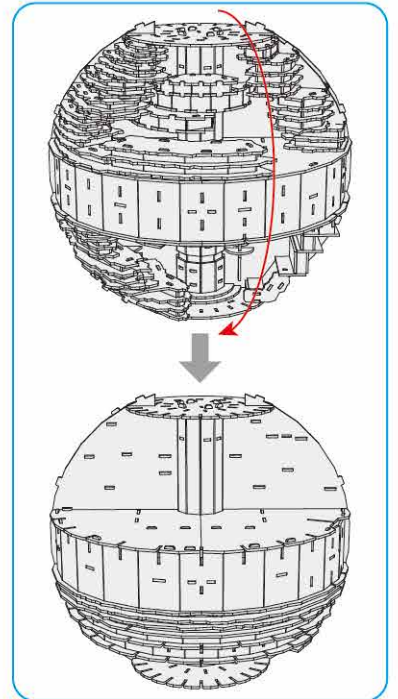
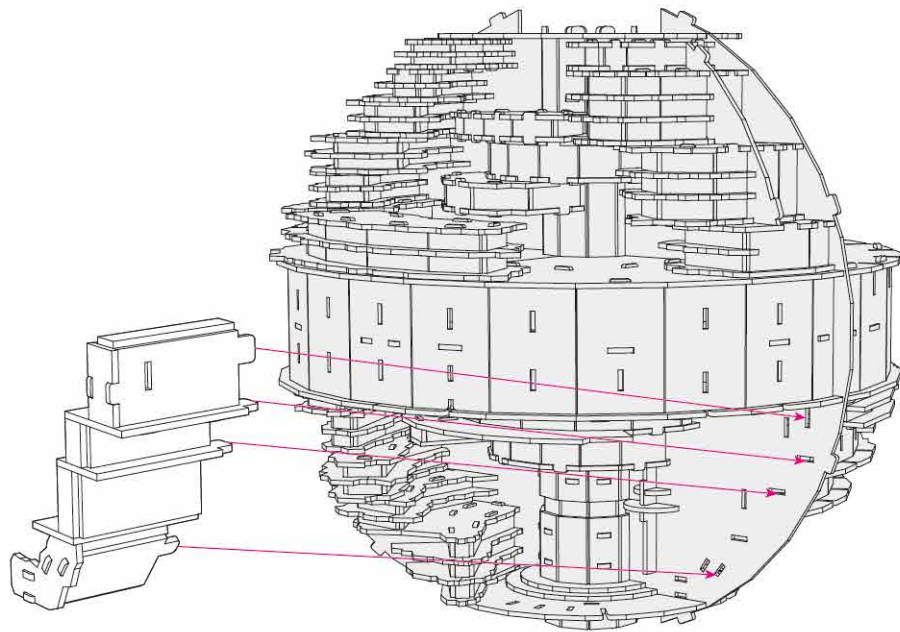
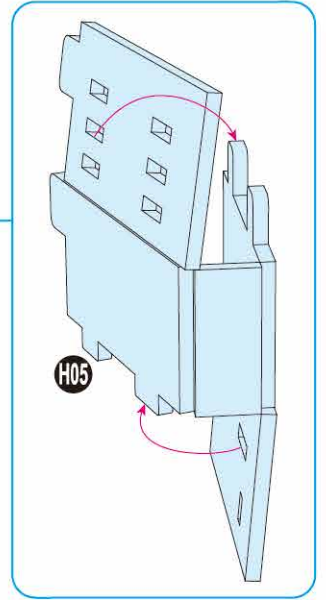
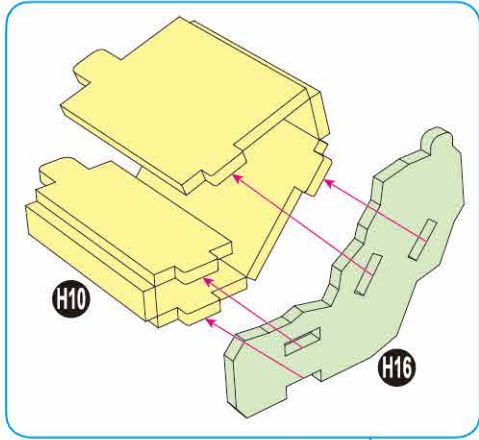
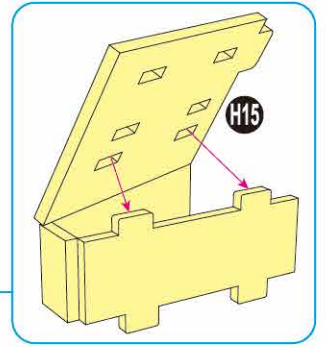
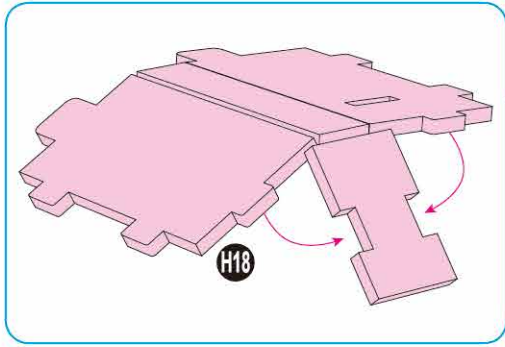
20

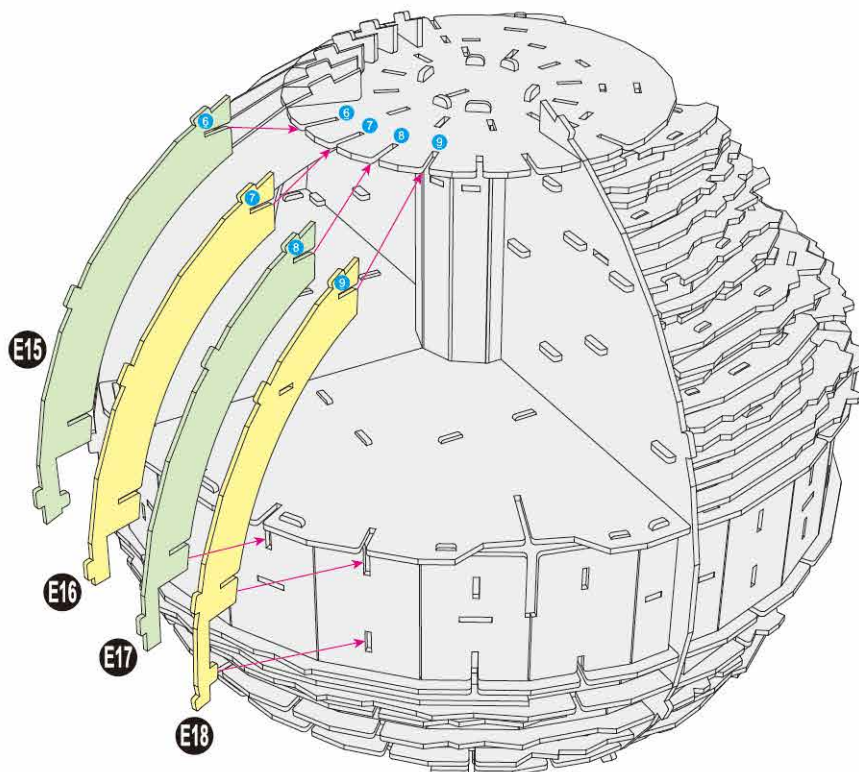
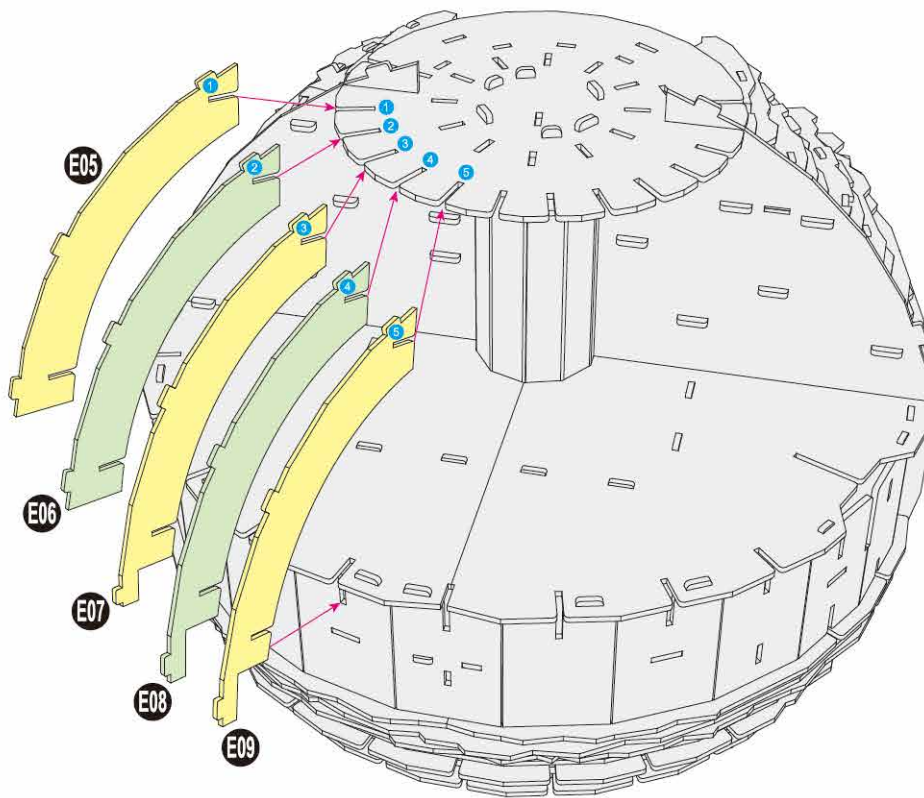


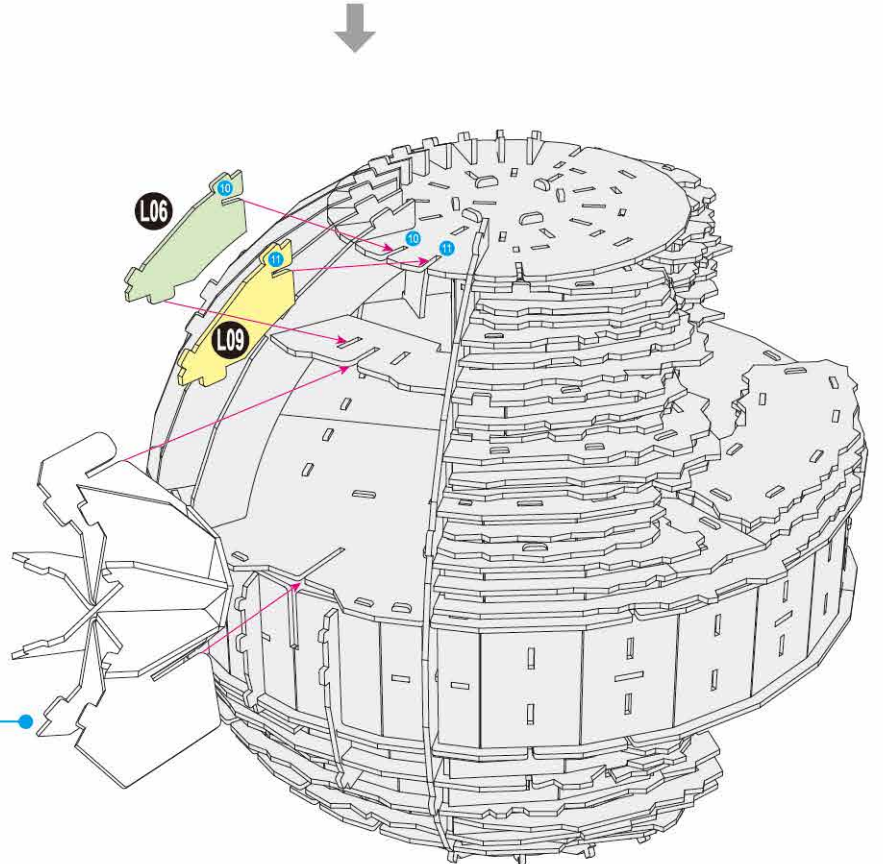
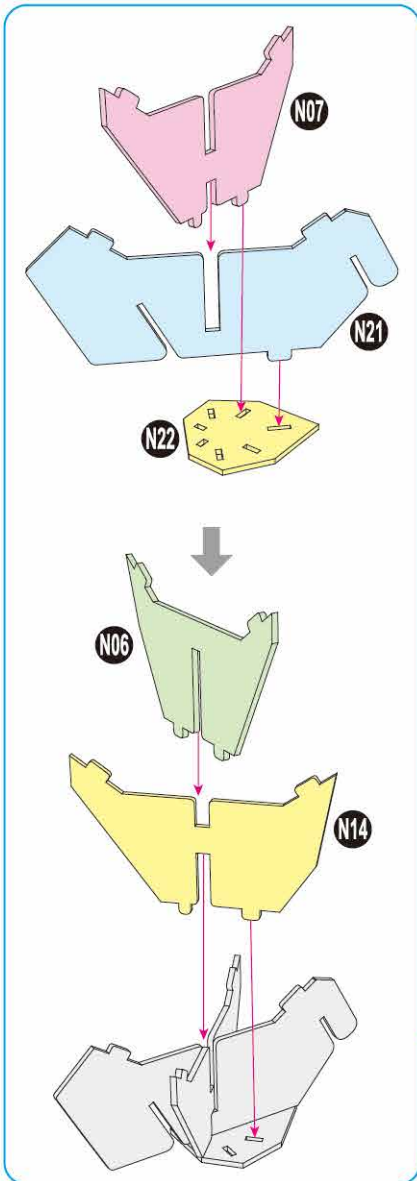
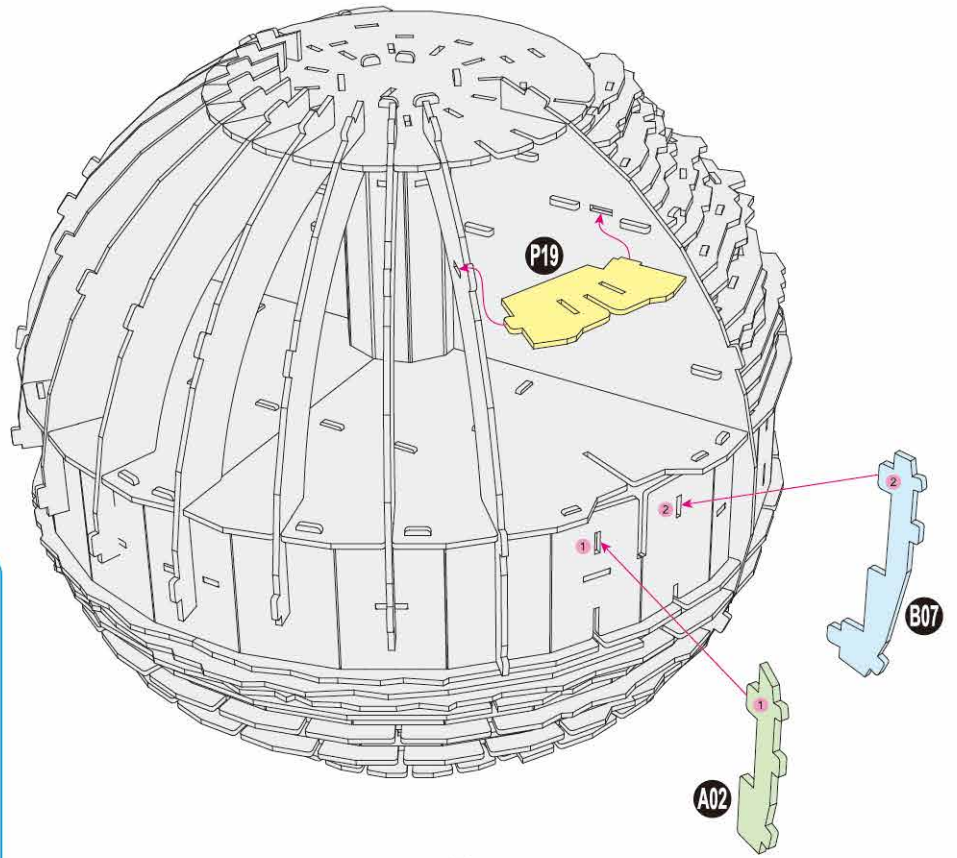
There are no more pieces left on Sheet J.

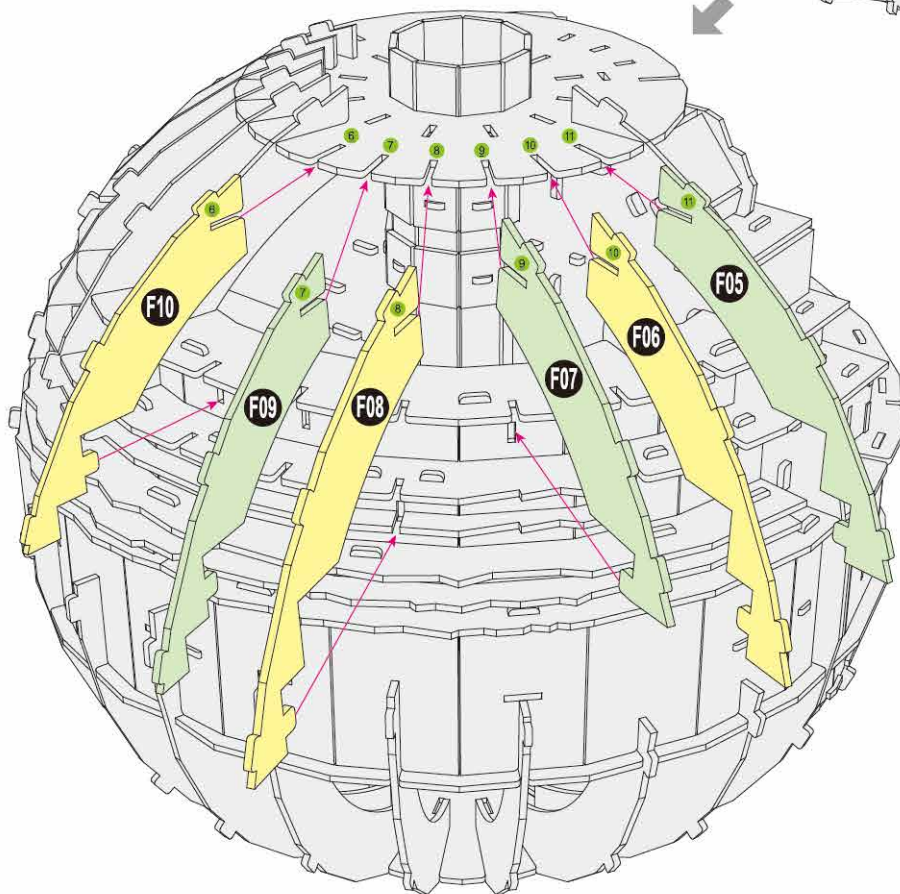
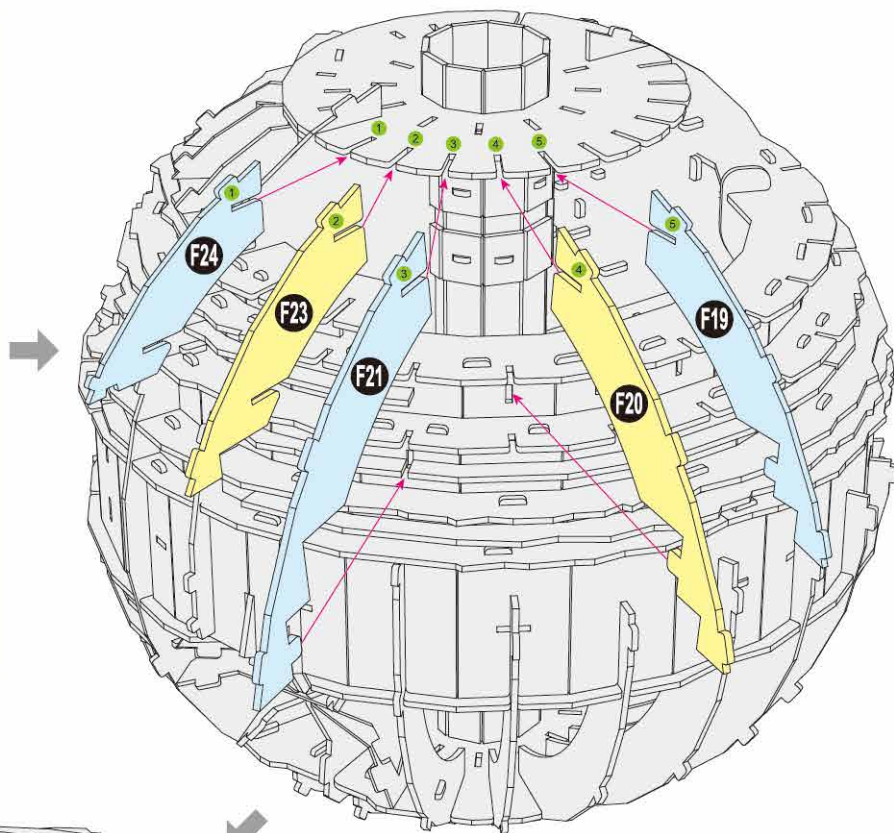
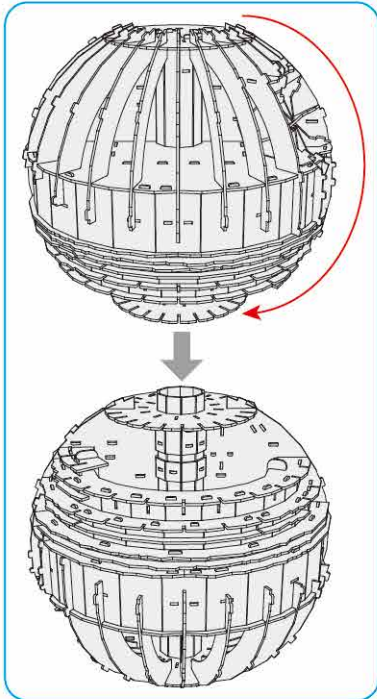


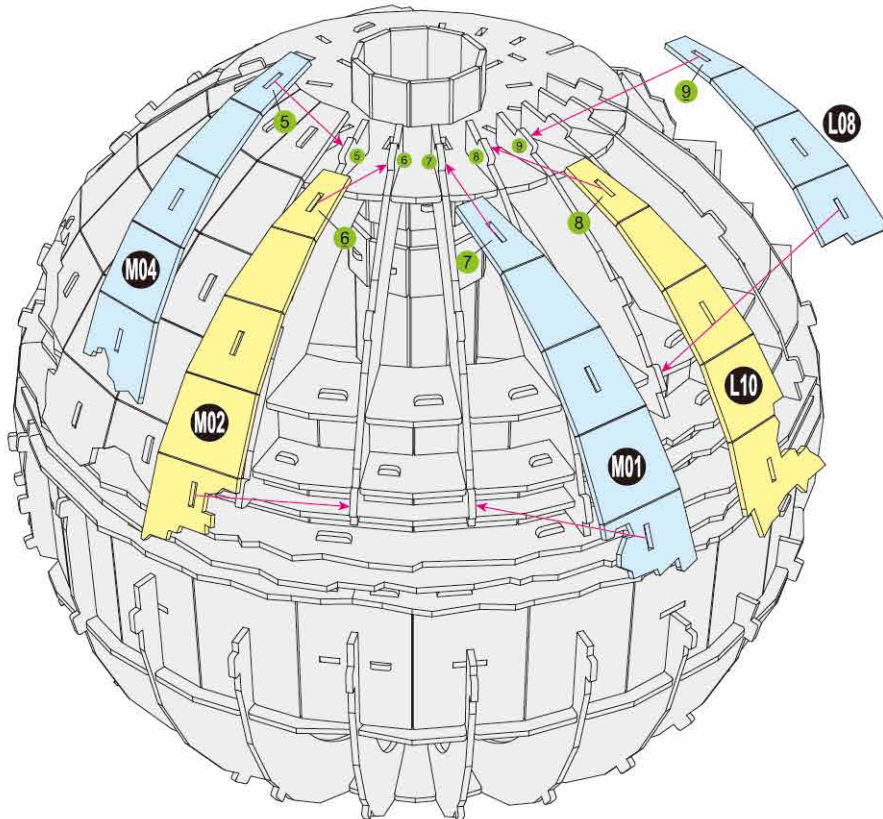
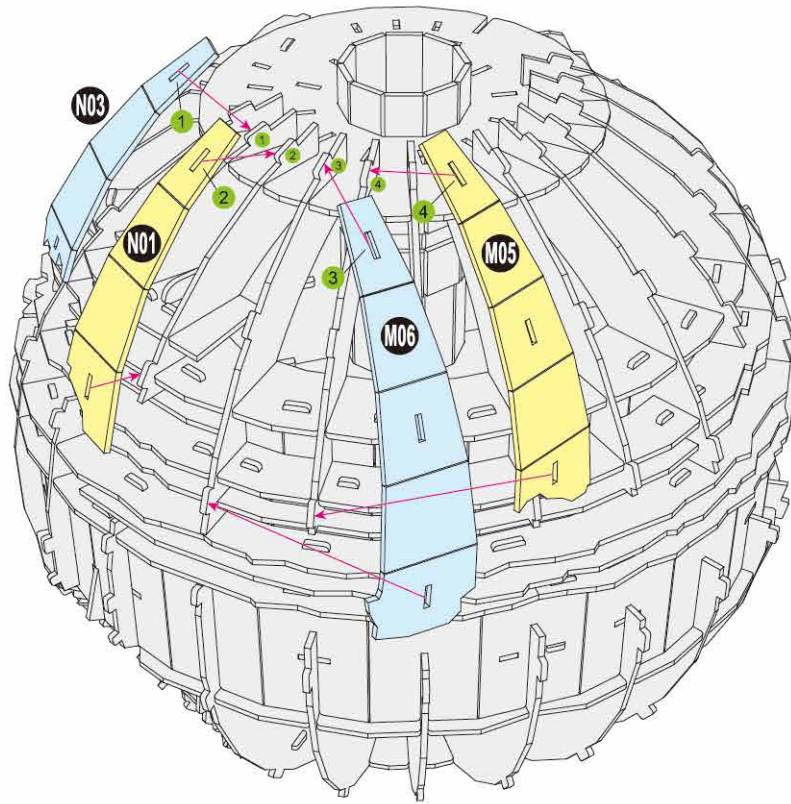
21

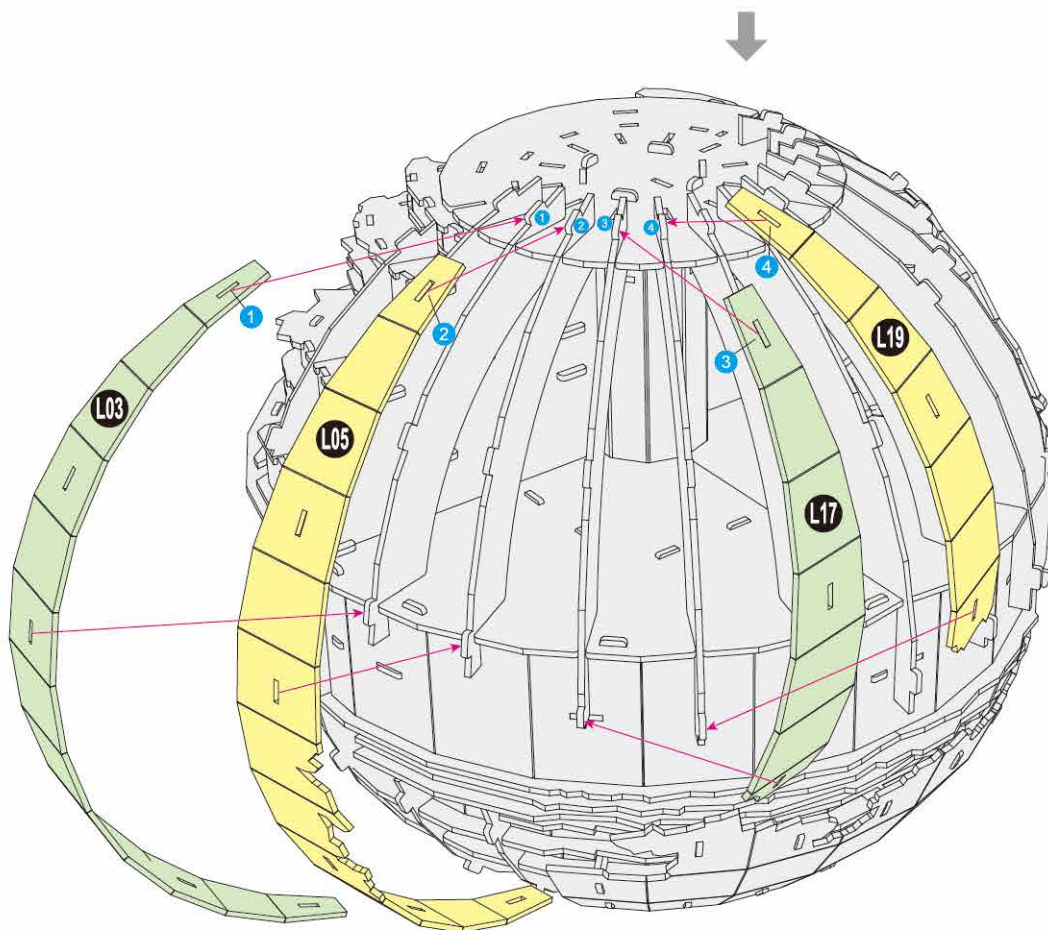
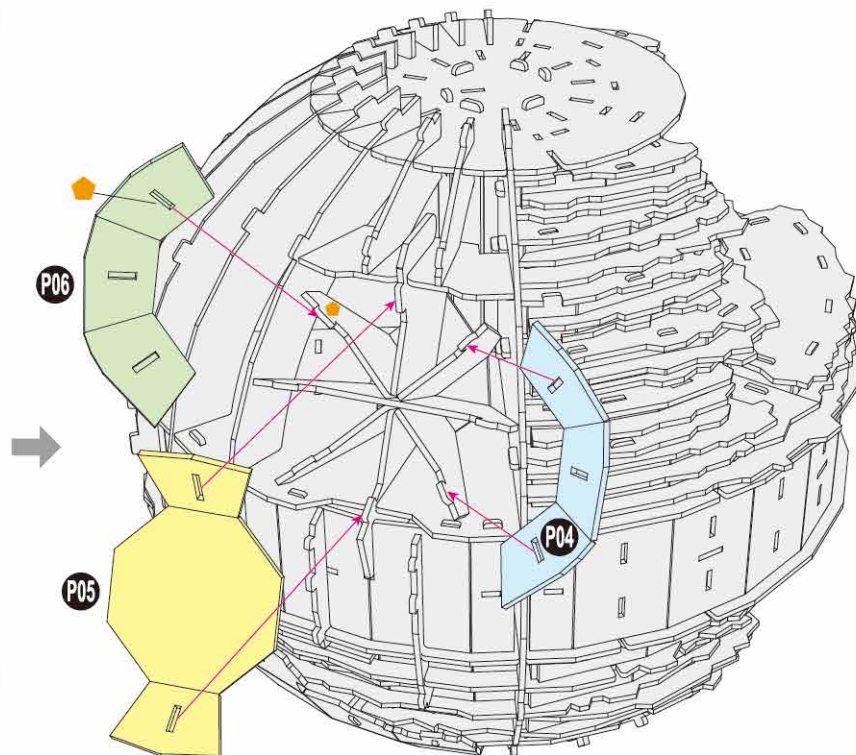
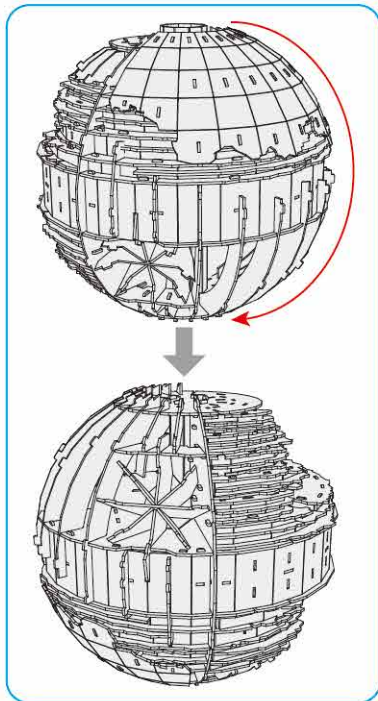


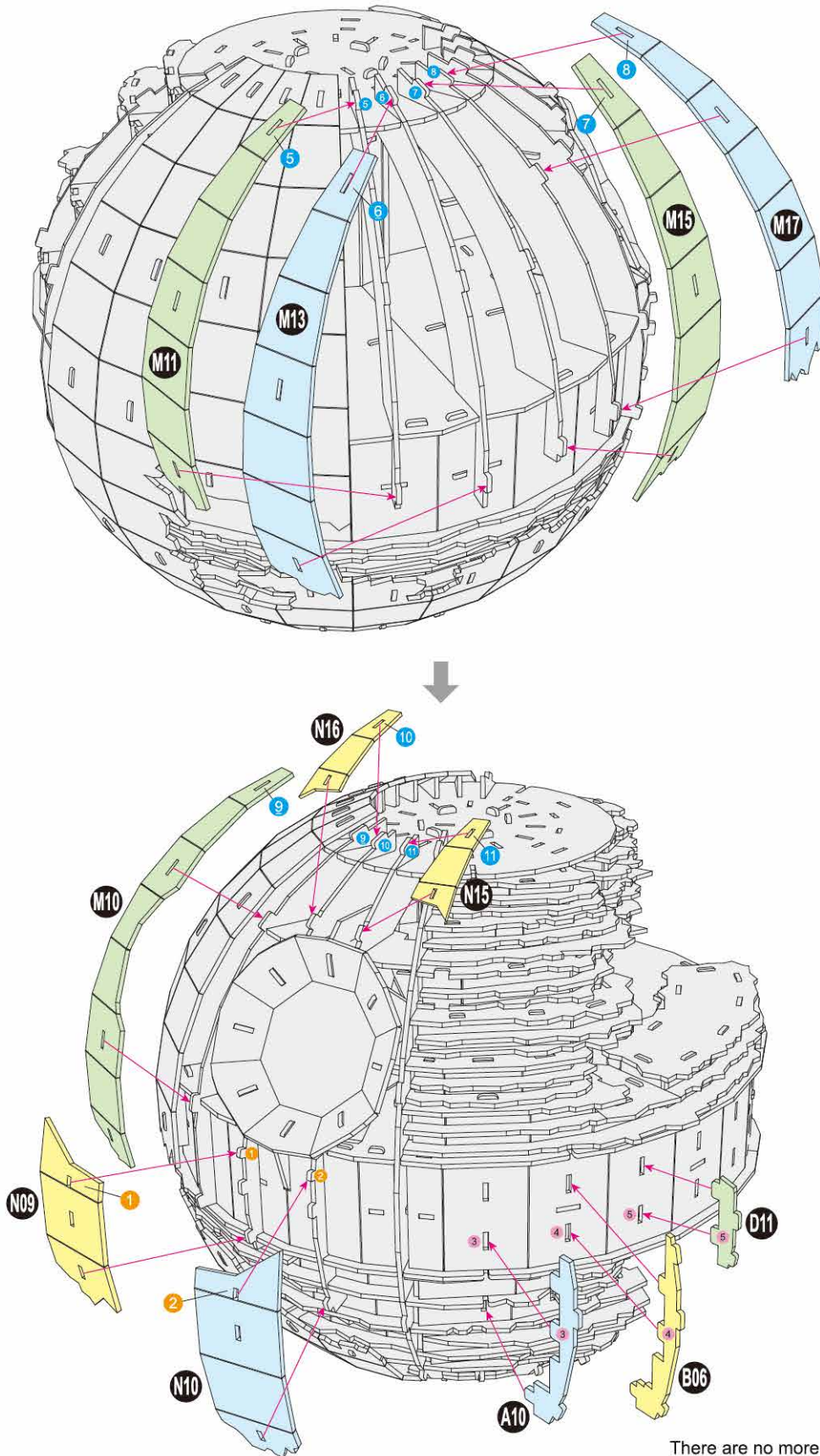




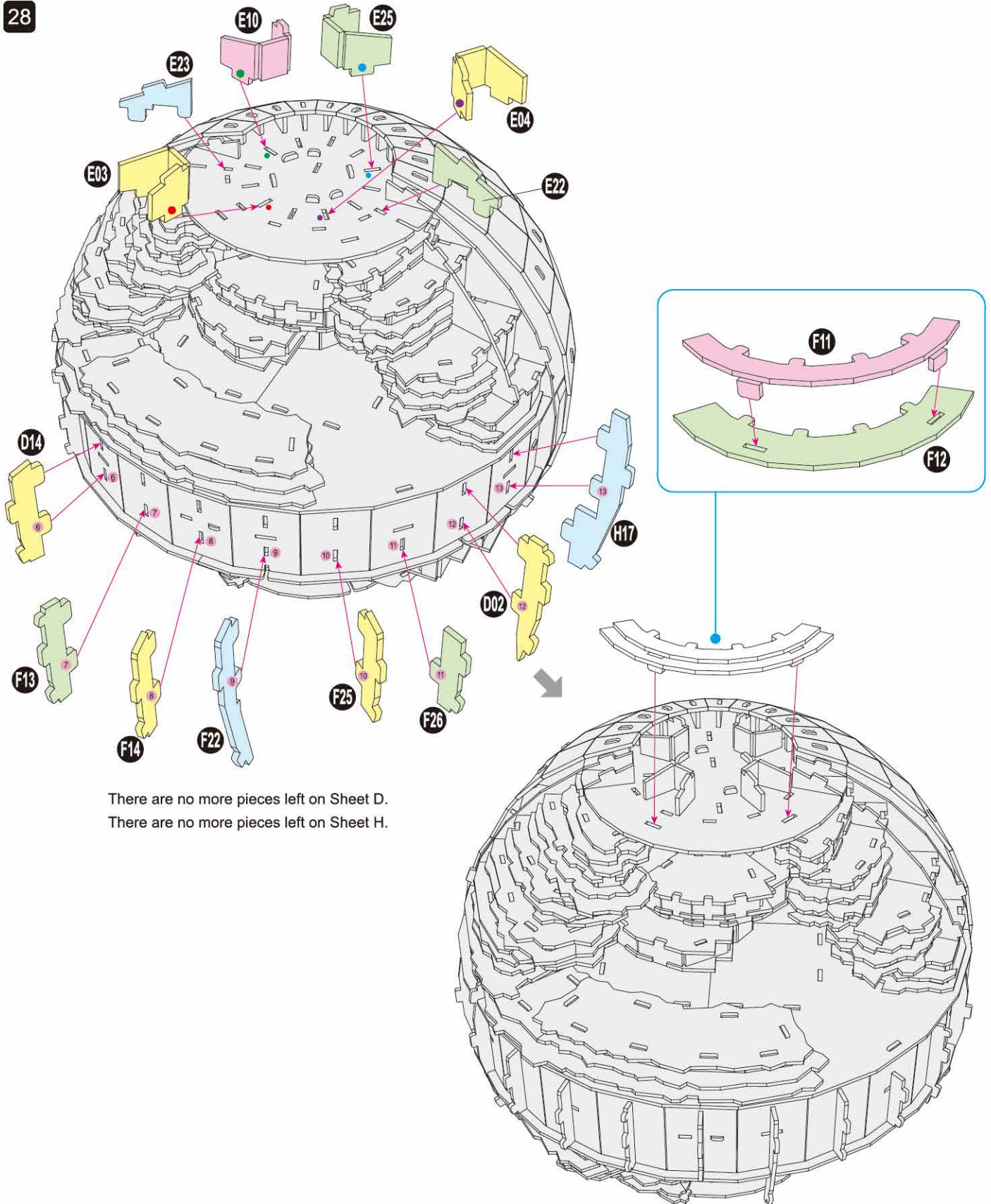


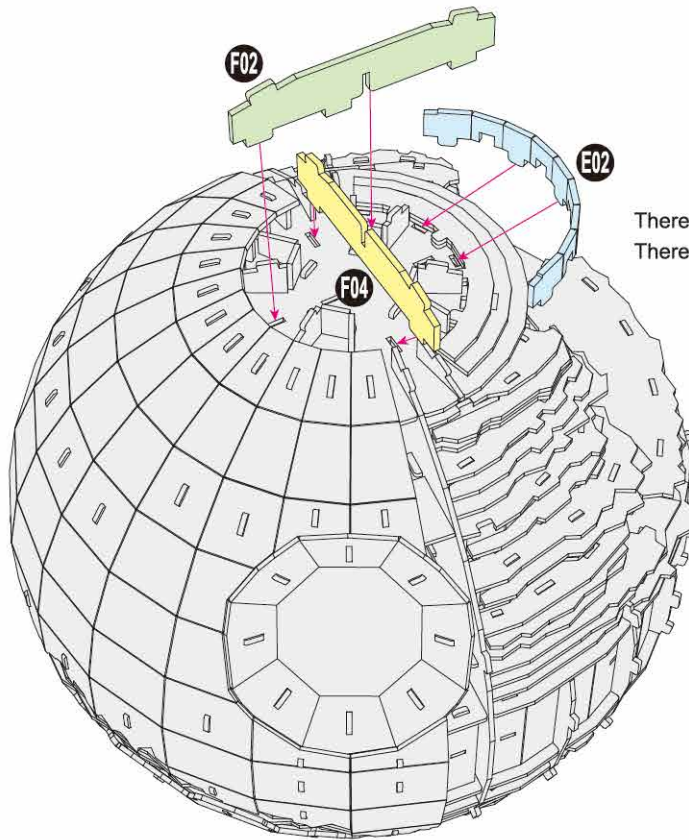




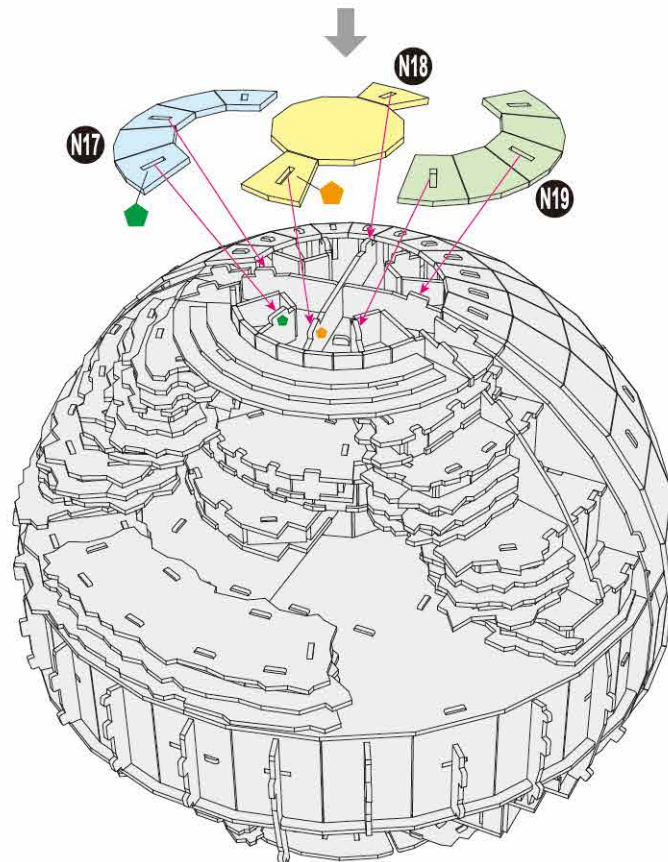


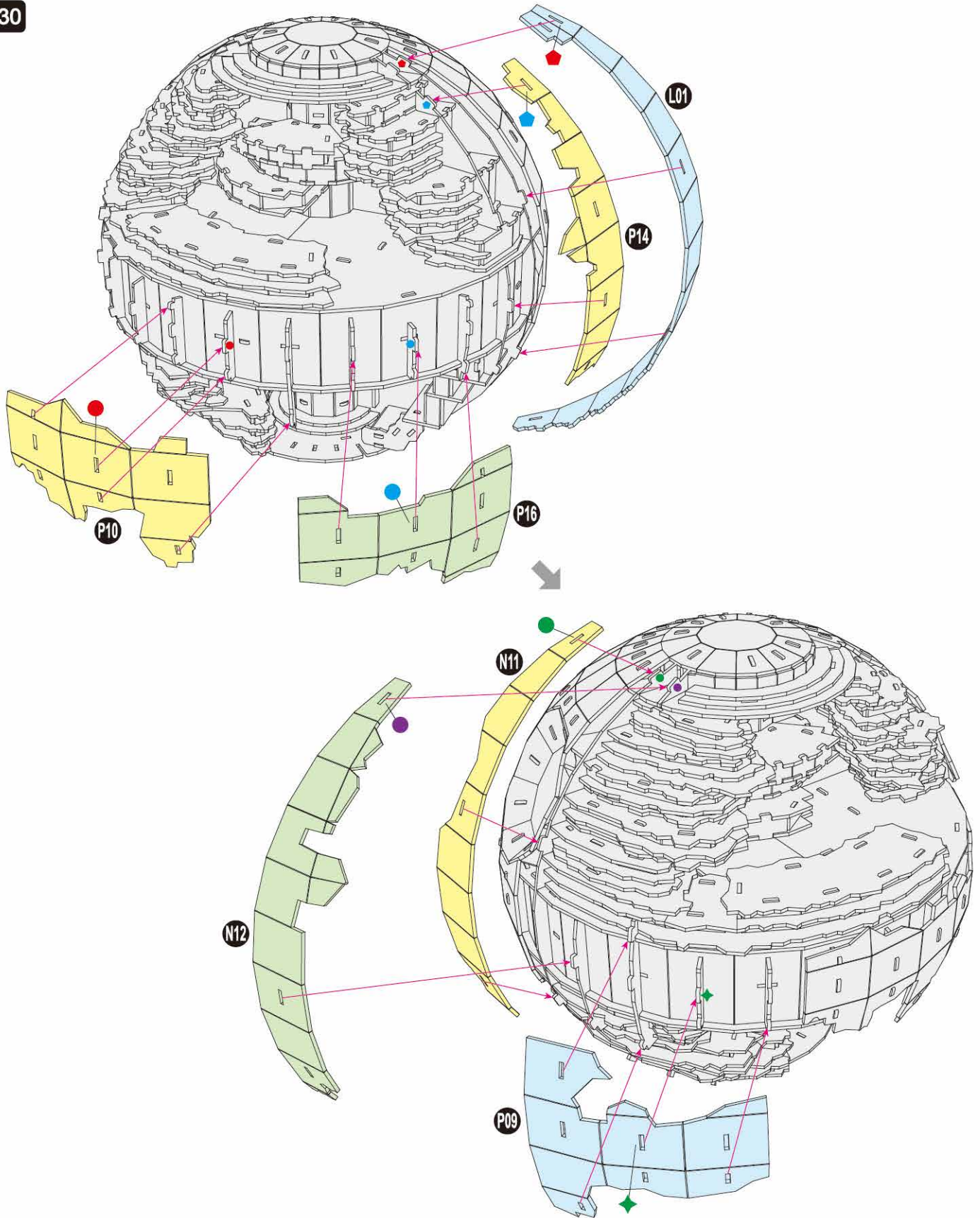
There are no more pieces left on Sheet A.
There are no more pieces left on Sheet B.

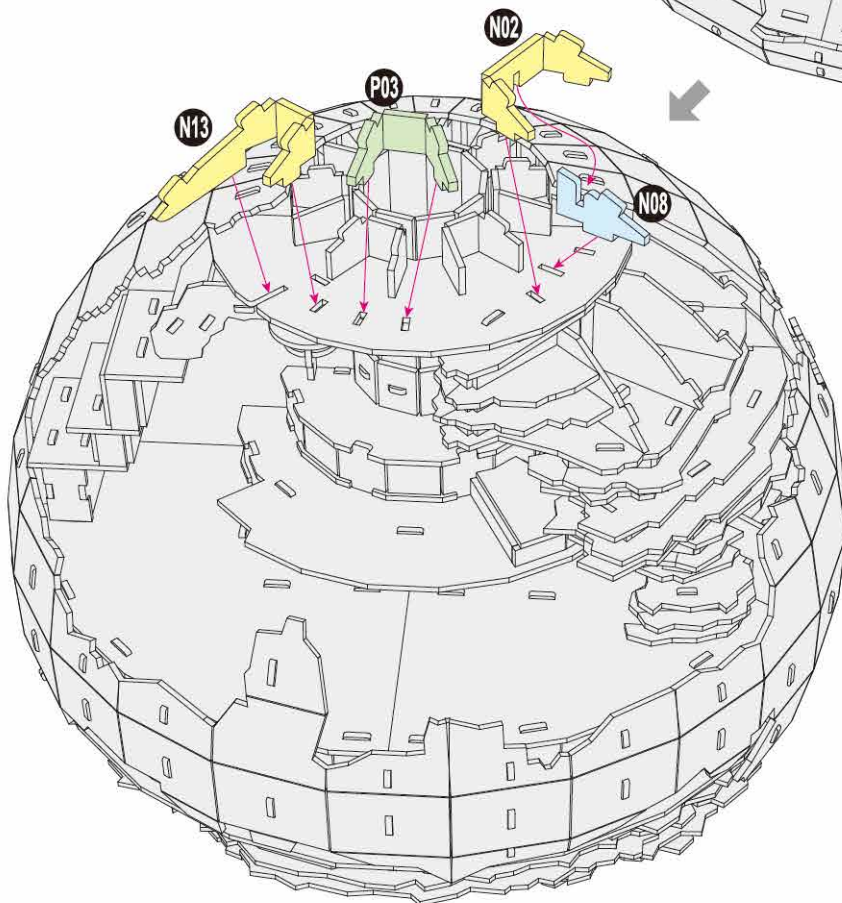
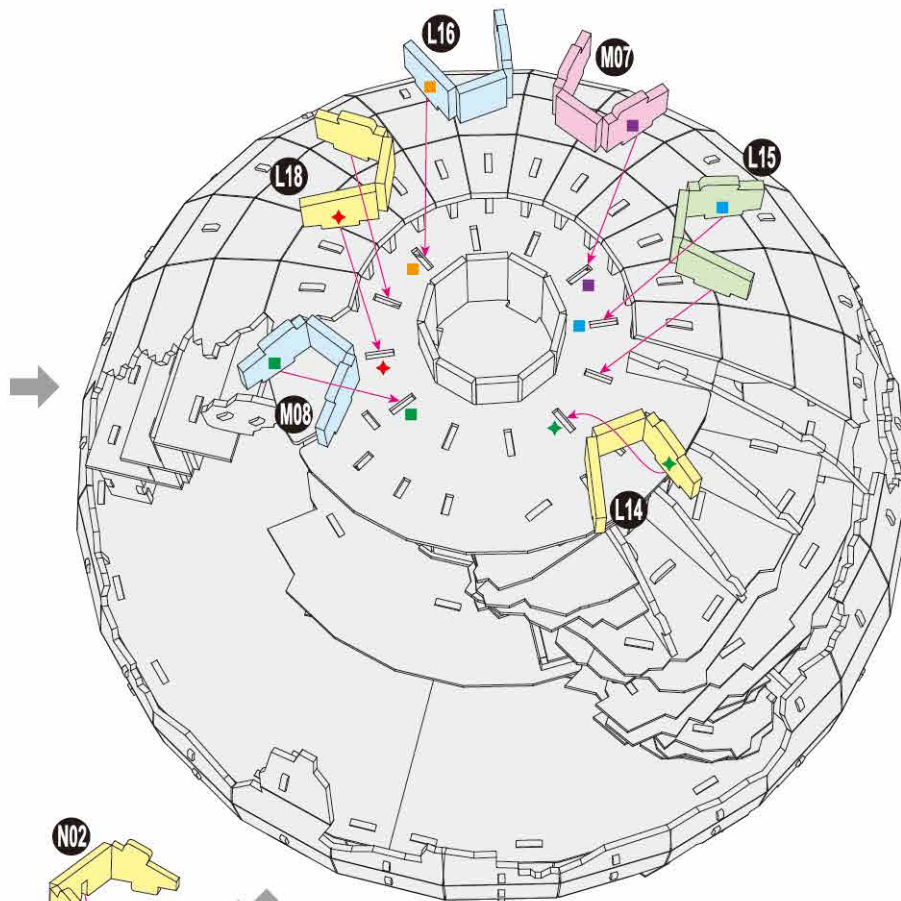
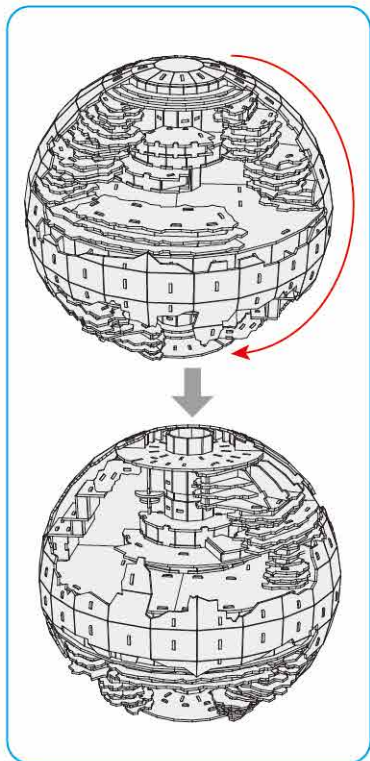




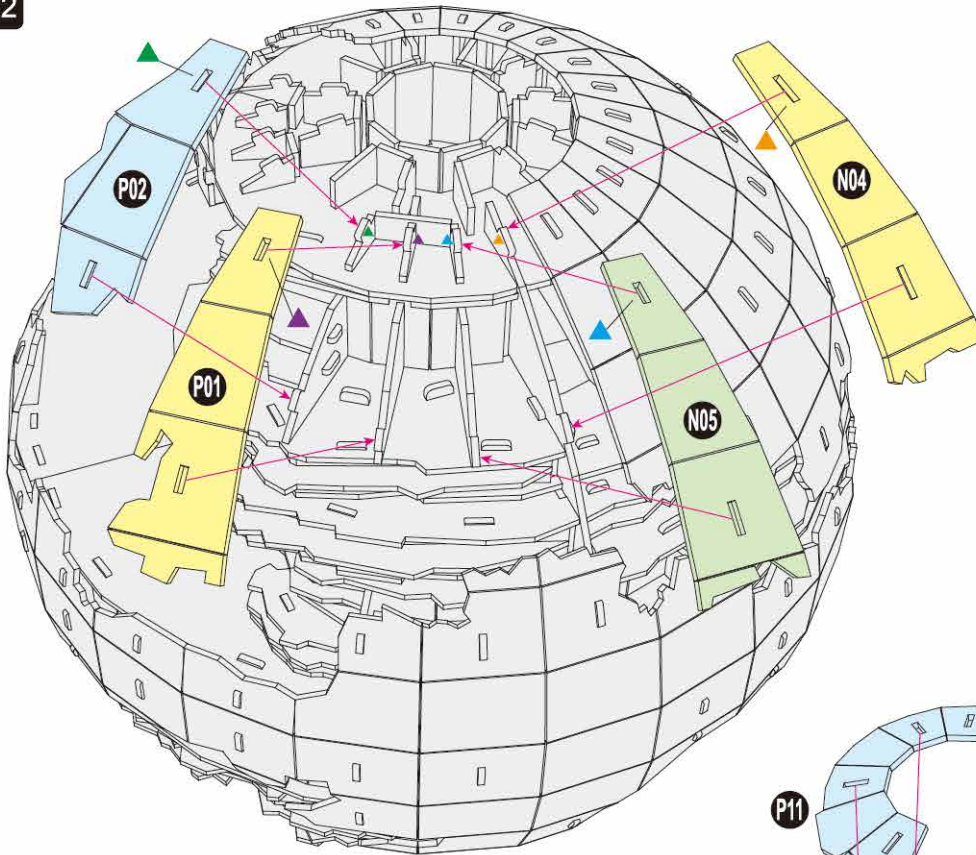
There are no more pieces left on Sheet E.
There are no more pieces left on Sheet F.



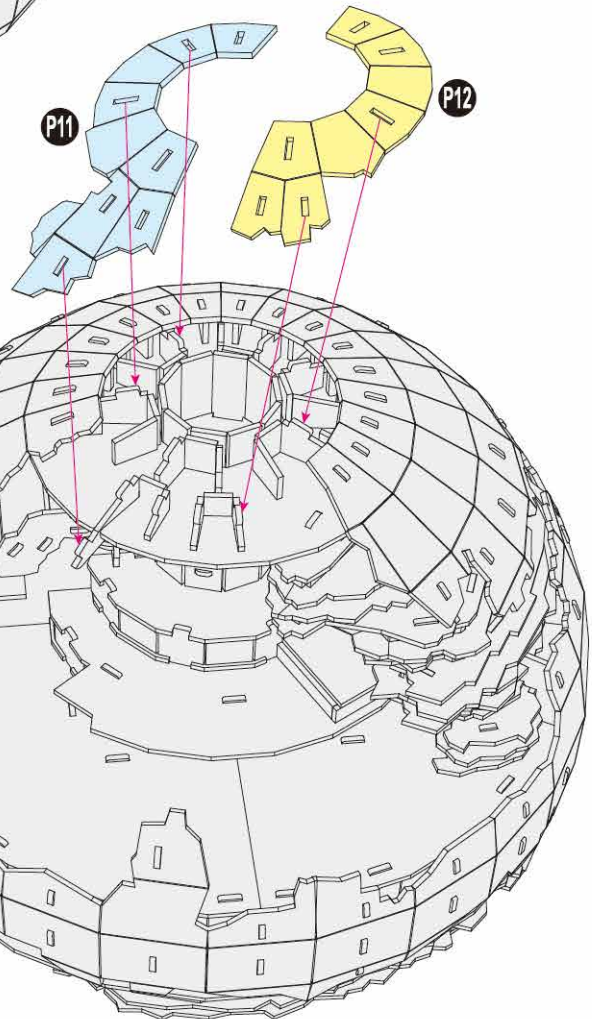




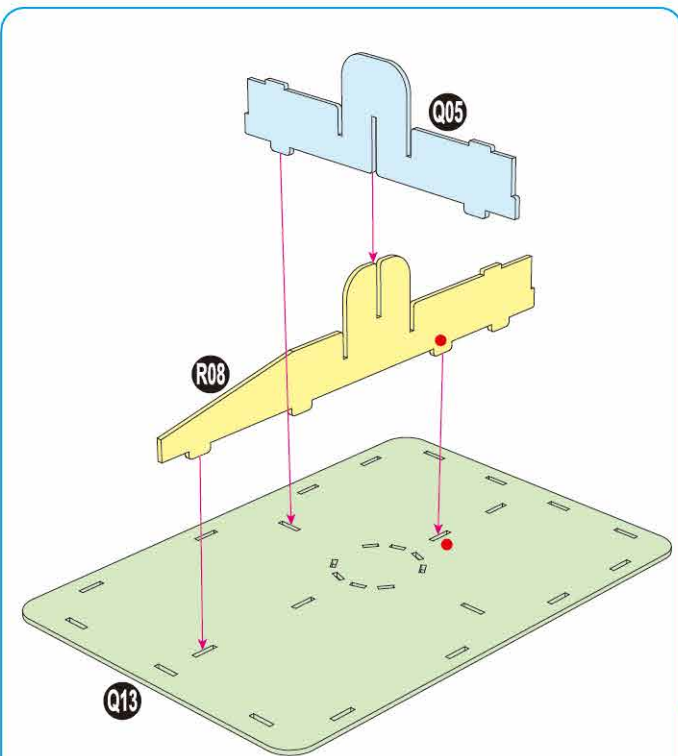
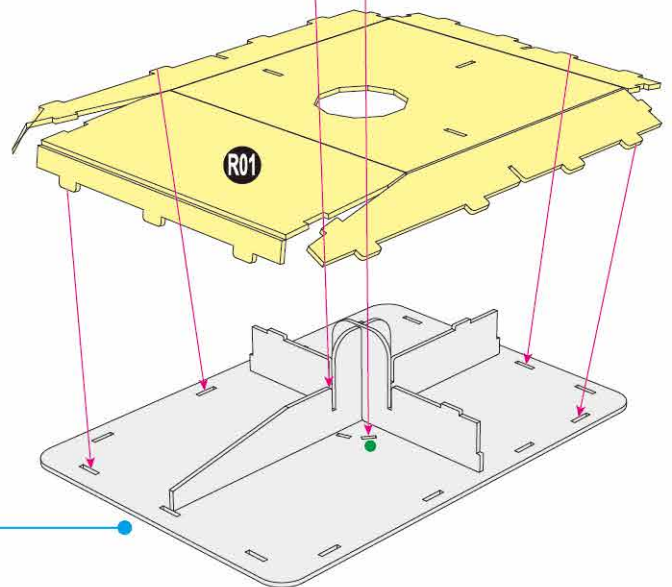
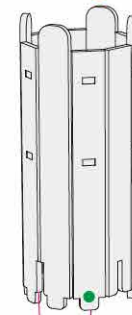
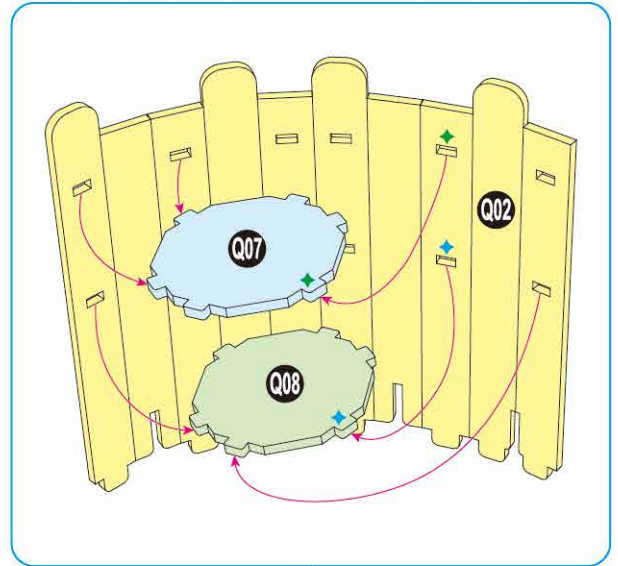
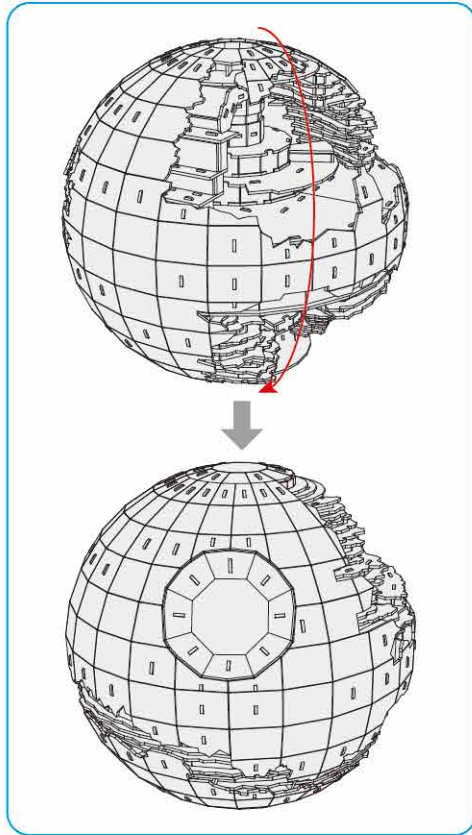
There are no more pieces left on Sheet L.
There are no more pieces left on Sheet M.



There are no more pieces left on Sheet N.



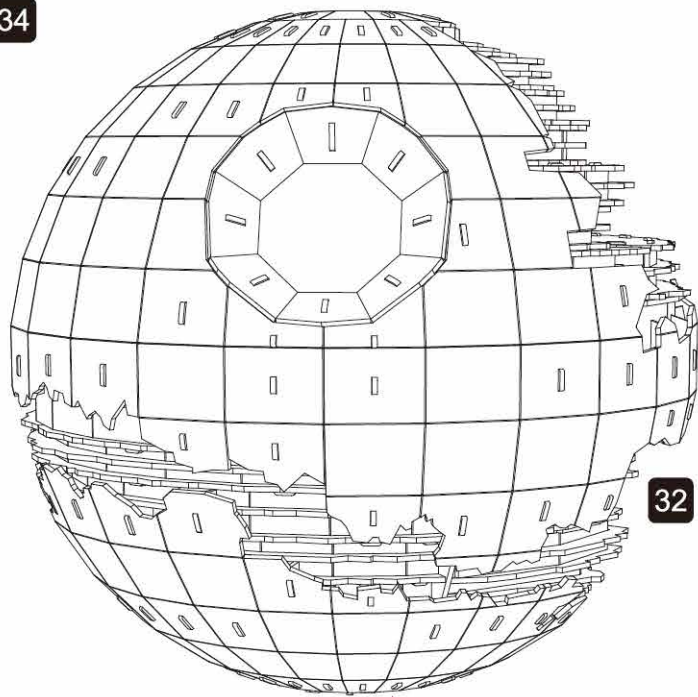
There are no more pieces left on Sheet P.



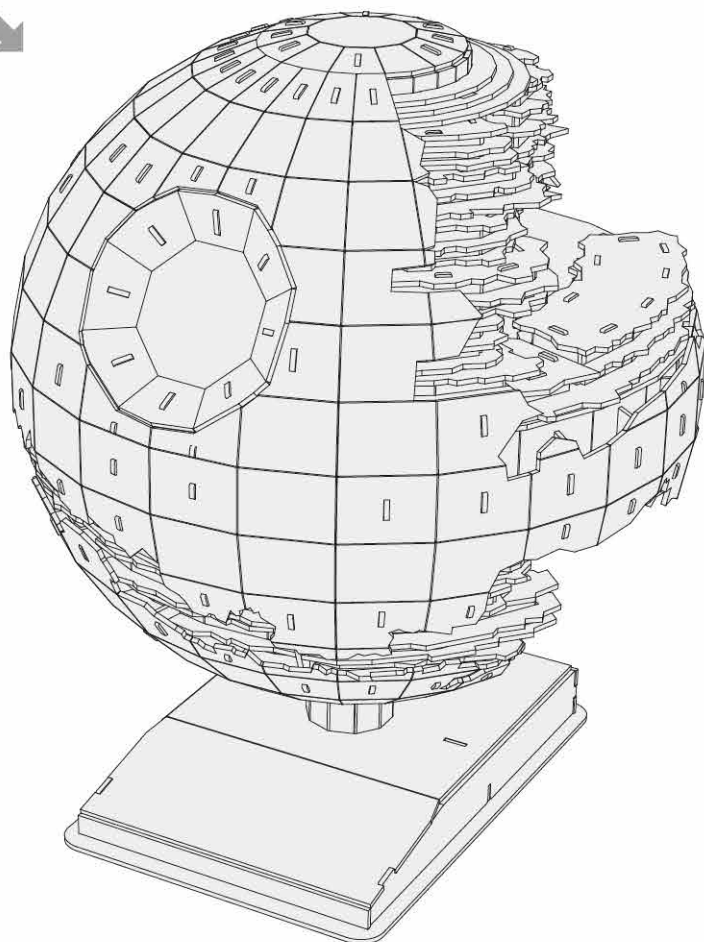
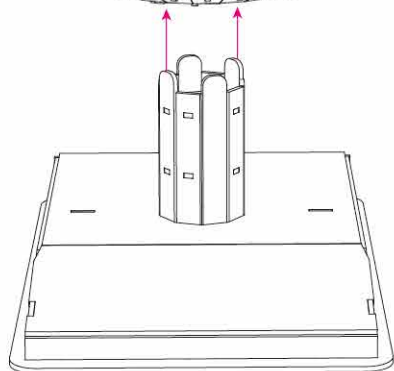
There are no more pieces left on Sheet Q.

There are no more pieces left on Sheet R.

34



32





TM & © 2023 SPIN MASTER LTD. ALL RIGHTS RESERVED.
 SPIN MASTER LTD., 225 KING STREET WEST,
 TORONTO ON M5V 3M2 CANADA • SPIN MASTER INC., PMB #10053,
 300 INTERNATIONAL DRIVE, SUITE 100, WILLIAMSVILLE, NY 14221
 SPIN MASTER INTERNATIONAL B.V., KINGSFORDWEG 151,
 1043 GR AMSTERDAM, NL • SPIN MASTER AUSTRALIA PTY LTD, SUITE 101, LEVEL 1,
 18-24 CHANDOS STREET, ST LEONARDS, NSW 2065; ☎ 1800 316 982
 SPIN MASTER TOYS UK LTD, BOSTON HOUSE, BOSTON DRIVE, BOURNE END,
 BUCKINGHAMSHIRE, SL8 5YS, UK • WWW.SPINMASTERGAMES.COM

MADE IN CHINA



Content may vary from pictures.
 Meets CPSC Safety Requirements.



www.starwars.com
 © & ™ Lucasfilm Ltd.



WWW.SPINMASTER.COM
 customercare@spinmaster.com